

Dim to Warm/Tunable White



PRODUCT FEATURES

- Seamless Spot Free Illumination
- Ultra Slim
- Close Pitch LEDs
- Bend Direction Horizontally / Vertically
- Dimmable
- Indoor and Outdoor Application
- Dim to Warm – 22K–30K
- Tunable color range 22K–40K
- Field Cut – 1.97"
- Pair with FDD–L20 for Dim to Warm/Tune Feature

PRODUCT SPECIFICATIONS

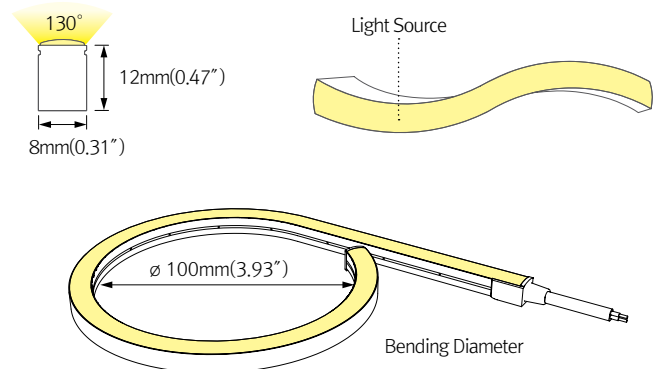
IP Rate	IP67 with Factory Termination (Customized Length Available)
	IP65 with Field Termination
Lamp Power	5.9W/ft
Power Input	24V DC
Color Rendering	Ra>80
Operating Temperature Ranges	50°F to 122°F (-10°C to 50°C)
Maximum Length	16.4ft (5,000mm)
Minimum Length	1.97in (50mm)
Minimum Bending Diameter	3.93in (100mm)
Beam Angle	130°
Material	PVC

SPECIFICATIONS TABLE



Model Name	Power Input	Lamp Power	Luminous Flux (Full Brightness)	Color Temperature
FN1 SC-24V-1M	DC 24V	19.2 W	505 lm	2,200K~4,000K

PHYSICAL SPECIFICATIONS



SPECIFICATION GUIDE

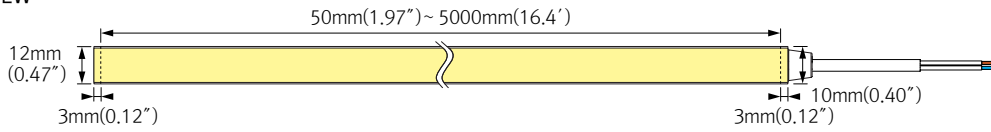
NOT TO BE USED FOR ORDERING. The Specification Guide is intended solely to ensure that all options are considered.

MODEL	COLOR	FEED TYPE	MOUNTING	DRIVER	VOLTAGE
FN1	SC-22K-40K	STD – Straight Feed LS – Left Side Feed BS – Bottom Feed*	STD – Flat Brackets EXL – 4' Extrusion*	NDM Non-Dim FDC 0-10 Interface FDH Forward Phase RDH Reverse Phase	120V 240V 277V

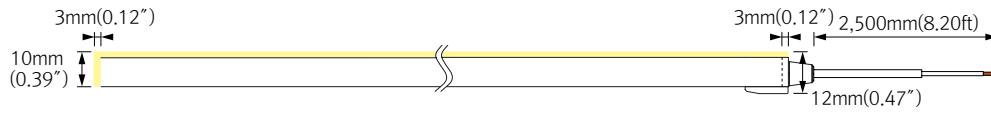
* Available, As Special Order Consult Feelux Lighting

DIMENSIONS

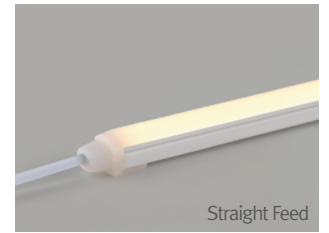
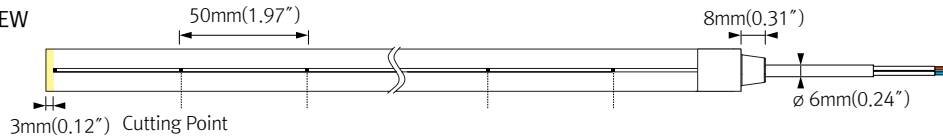
TOP VIEW



SIDE VIEW

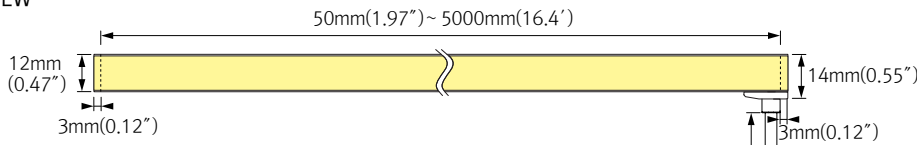


BOTTOM VIEW

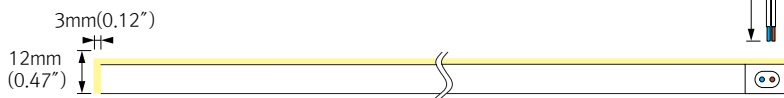


Straight Feed

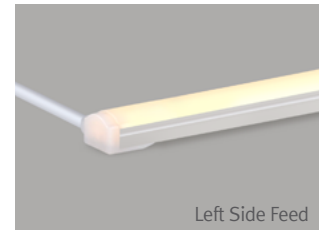
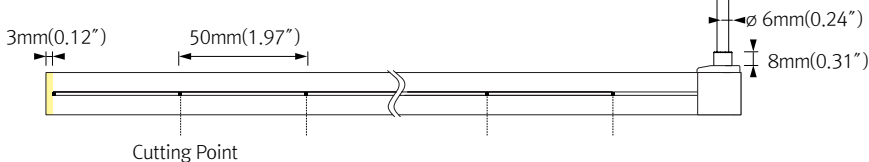
TOP VIEW



SIDE VIEW

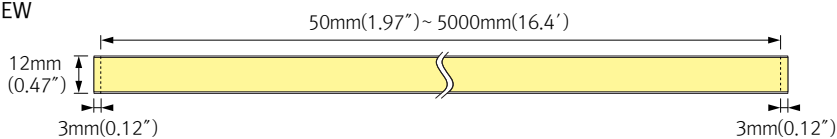


BOTTOM VIEW

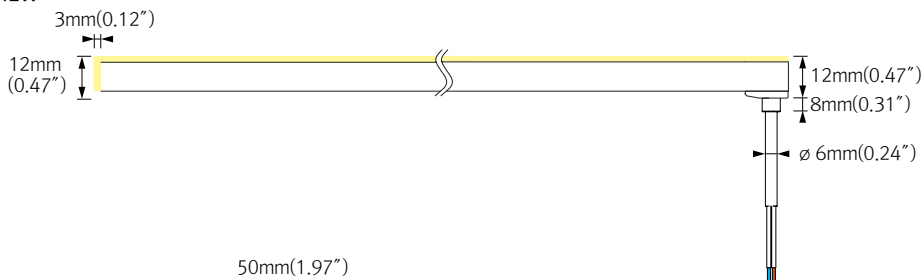


Left Side Feed

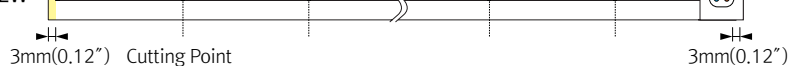
TOP VIEW



SIDE VIEW



BOTTOM VIEW

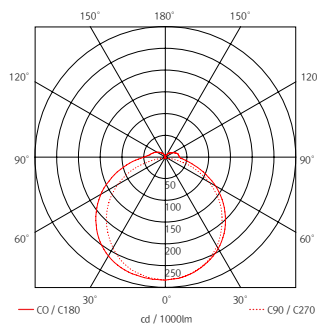


Bottom Feed

FLXible Neon can be cut every 50mm (1.97").

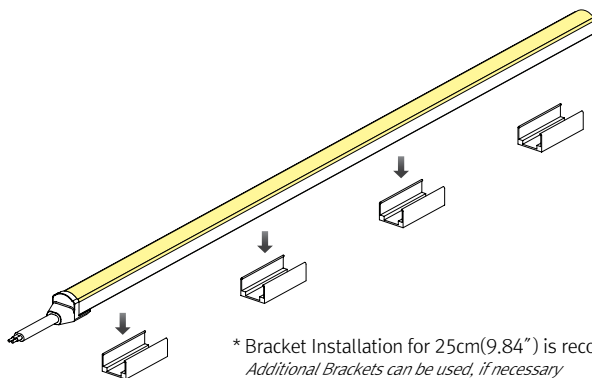
Please follow the cutting point mark to cut precisely as needed.

BEAM SPREADS



FN1 SC-24V-1M
45.2 lm/W
867 lm

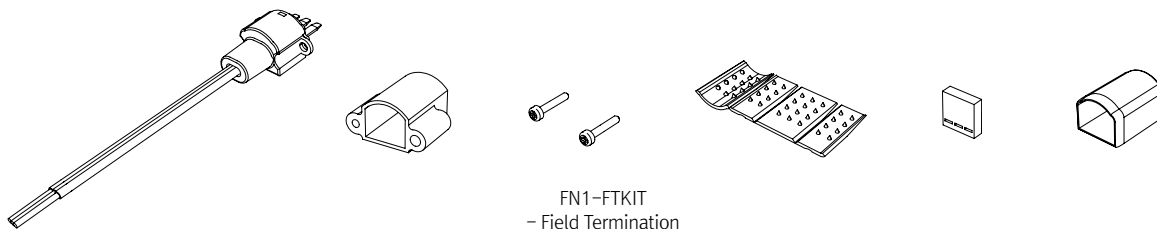
INSTALLATION – Bracket



* Bracket Installation for 25cm(9.84") is recommended
Additional Brackets can be used, if necessary

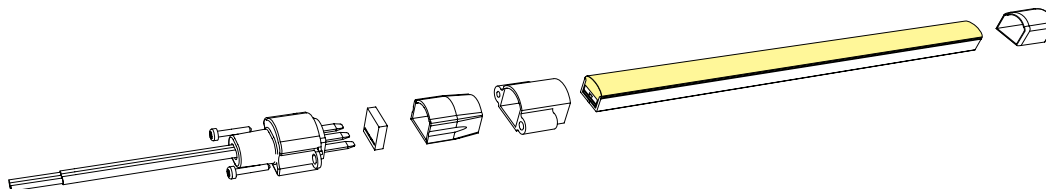
INSTALLATION – Field Termination (IP65)

* Components



FN1-FTKIT
– Field Termination

* Expanded View



COMPONENTS



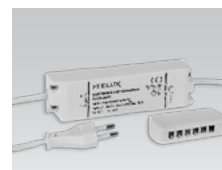
FLXible Neon 1

- __ FN1-SC-24V-5m(16.4')
- __ FN1-SC-24V-4m(13.1')
- __ FN1-SC-24V-3m(9.8')
- __ FN1-SC-24V-2m(6.6')
- __ FN1-SC-24V-1m(3.3')



Expanding Stick

- __ FN-EPS



LED Drivers

- With distributor and power cord 1800mm (6')
- __ FLC30-24V/XL
 - __ FLC75-24V/XL



Mounting Brackets

- __ FN1-BRACKET1



Field Termination

- IP65
FN1-FTKIT-DUAL



Hard Wire Driver

- (90V to 300V)
- __ XLAV80(L)-124V-SSB
 - __ XLD200-224V-FCL-DIM
 - __ XLD75-124V-FC



FN2 Extrusion Line

- __ FN1-EXL (4')



Dimming Interface

- Max. 100W (100W/CH, 1CH)
0-10V Signal
__ FDC-L10



Control Interface

- Max. 200W (100W/CH 2 CH)
Required for Dim to Warm
Required for Tunable White
FDD-L20

A larger selection of drivers are available including remote and hard wire drivers.
Please consult factory.