

DATE

PROJECT

TYPE



FLT Track System

Magnetic Low Voltage Track System



PRODUCT FEATURES

- Multiple luminaire options with various beams for maximum design flexibility
- Dual magnetic/mechanical system for secured luminaires
- Surface, Recessed and Pendant mount track available
- Easy installation
- Dimmable
- 96W per Power Feed

PRODUCT SPECIFICATIONS

- Voltage: DC 24V
- Operating Temperature: 32–113°F (0–45°C)
- Lamp Life: 50,000 hrs / 70%
- Finishes: Black, White
- Color Rendering : CRI > 90
- Dimming: 0–10V, DALI, Forward/Reverse (with interface)
- 5 year Warranty

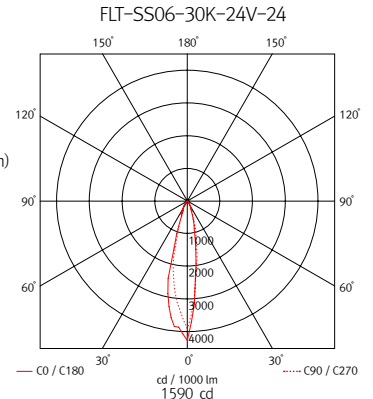
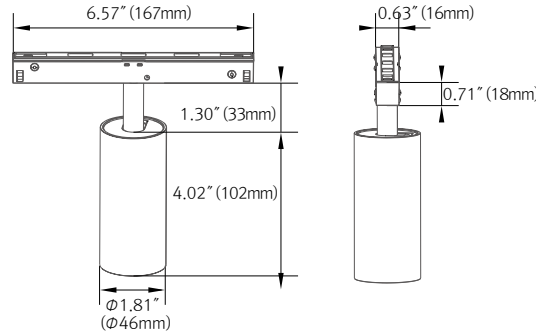
SPECIFICATION-FIXTURES

Performance data shown below for 3000K CCT. Refer to individual luminaire IES files for other CCT options.

* 2700K, 3500K & 4000K available 4th Quarter 2020

Model Name	Power Input	Lamp Power	Luminous Flux	Luminous Efficacy	Color Rendering Index	Color Temperature(CCT)	Beam Angle	Operating Temperature
FLT-SS06 (color)-24V	DC 24V	5.1 W	362 lm	74.5 lm/W	CRI > 90	* 2700K/3000K/3500K/4000K	15°/24°/36°	32–113°F
FLT-SS09 (color)-24V	DC 24V	8.9 W	689 lm	77.64 lm/W	CRI > 90	* 2700K/3000K/3500K/4000K	15°/24°/36°	32–113°F
FLT-SS15 (color)-24V	DC 24V	14.75 W	1068.8 lm	72.41 lm/W	CRI > 90	* 2700K/3000K/3500K/4000K	15°/24°/36°	32–113°F
FLT-SS20 (color)-24V	DC 24V	20.8 W	1510 lm	72.48 lm/W	CRI > 90	* 2700K/3000K/3500K/4000K	15°/24°/36°	32–113°F
FLT-SL06 (color)-24V	DC 24V	5.2 W	361 lm	69.5 lm/W	CRI > 90	* 2700K/3000K/3500K/4000K	15°/24°/36°	32–113°F
FLT-SM02 (color)-24V	DC 24V	1.7 W	98 lm	58.6 lm/W	CRI > 90	* 2700K/3000K/3500K/4000K	15°/24°/36°	32–113°F
FLT-SM12 (color)-24V	DC 24V	10.2 W	763 lm	74.5 lm/W	CRI > 90	* 2700K/3000K/3500K/4000K	15°/24°/36°	32–113°F
FLT-LS15 (color)-24V	DC 24V	5.9 W	497 lm	84.2 lm/W	CRI > 90	* 2700K/3000K/3500K/4000K	24°/36°	32–113°F
FLT-LS30 (color)-24V	DC 24V	11.5 W	941 lm	81.8 lm/W	CRI > 90	* 2700K/3000K/3500K/4000K	24°/36°	32–113°F
FLT-LM30 (color)-24V	DC 24V	8.6 W	556 lm	65.1 lm/W	CRI > 90	* 2700K/3000K/3500K/4000K	130°	32–113°F
FLT-SP20 (color)-24V	DC 24V	2.3 W	114 lm	50.54 lm/W	CRI > 90	* 2700K/3000K/3500K/4000K	15°/24°/36°	32–113°F
FLT-SP30 (color)-24V	DC 24V	2.3 W	113.62 lm	50.44 lm/W	CRI > 90	* 2700K/3000K/3500K/4000K	15°/24°/36°	32–113°F

FLT-SS06



3000K performance data given. Refer to individual luminaire IES files for other CCTs.

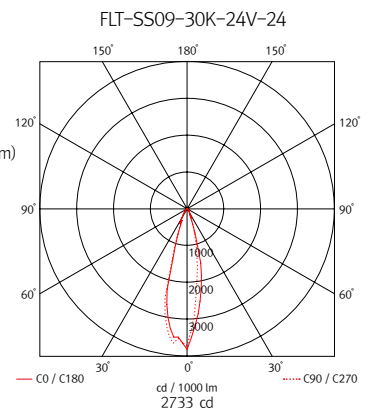
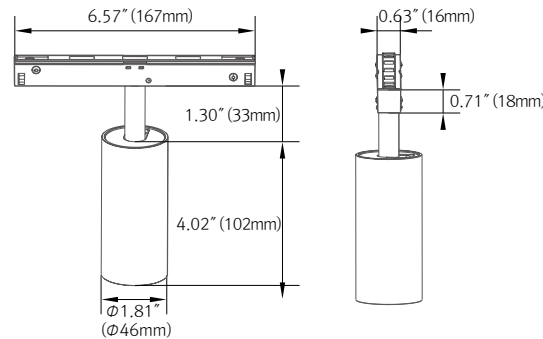
* 2700K, 3500K & 4000K available 4th Quarter 2020

Model Name	Power Input	Lamp Power	Luminous Flux	Luminous Efficacy	Color Rendering Index	Color Temperature (CCT)	Beam Angle	Weight of Luminaire	Operating Temperature
FLT-SS06 (color)-24V	DC 24V	5.1 W	362 lm	74.5 lm/W	CRI > 90	*2700K/3000K/3500K/4000K	15° / 24° / 36°	0.49 lb	32-113°F

ORDERING GUIDE Please refer to Page 8 for Track Compatibility.

MODEL	COLOR TEMPERATURE(CCT)	VOLTAGE	BODY FINISH	BEAM ANGLE
FLT-SS06	27K -2700K 30K -3000K 35K -3500K 40K -4000K	24V	BK -Black WT -White	15° 24° 36°

FLT-SS09



3000K performance data given. Refer to individual luminaire IES files for other CCTs.

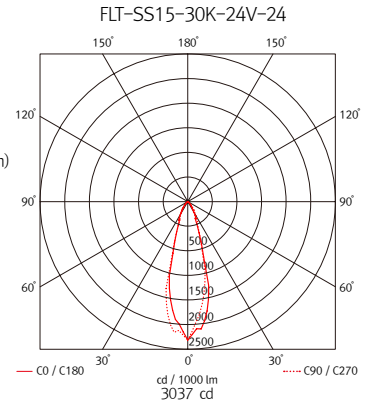
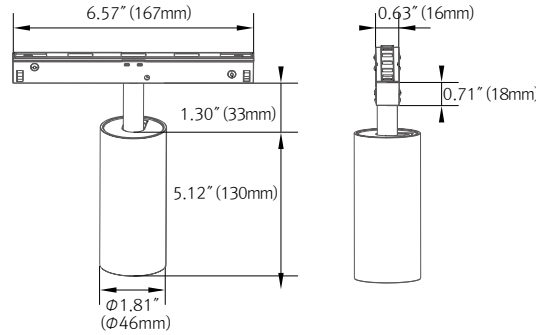
* 2700K, 3500K & 4000K available 4th Quarter 2020

Model Name	Power Input	Lamp Power	Luminous Flux	Luminous Efficacy	Color Rendering Index	Color Temperature (CCT)	Beam Angle	Weight of Luminaire	Operating Temperature
FLT-SS09 (color)-24V	DC 24V	8.9 W	689 lm	77.64 lm/W	CRI > 90	*2700K/3000K/3500K/4000K	15° / 24° / 36°	0.5 lb	32-113°F

ORDERING GUIDE Please refer to Page 8 for Track Compatibility.

MODEL	COLOR TEMPERATURE(CCT)	VOLTAGE	BODY FINISH	BEAM ANGLE
FLT-SS09	27K -2700K 30K -3000K 35K -3500K 40K -4000K	24V	BK -Black WT -White	15° 24° 36°

FLT-SS15



3000K performance data given. Refer to individual luminaire IES files for other CCTs.

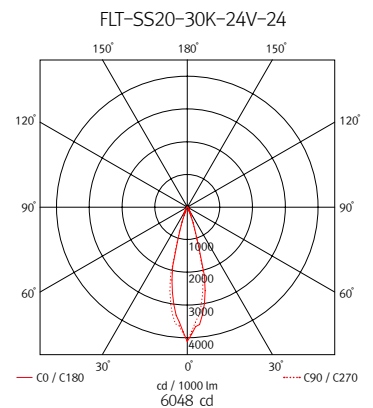
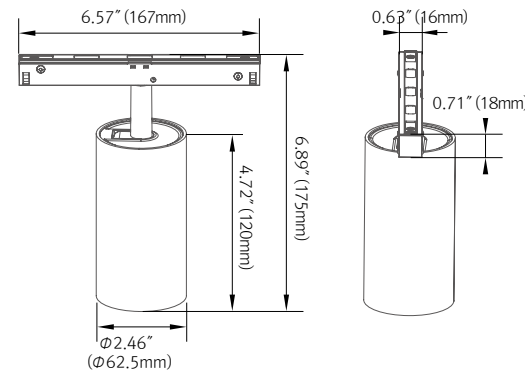
* 2700K, 3500K & 4000K available 4th Quarter 2020

Model Name	Power Input	Lamp Power	Luminous Flux	Luminous Efficacy	Color Rendering Index	Color Temperature (CCT)	Beam Angle	Weight of Luminaire	Operating Temperature
FLT-SS15 (color)-24V	DC 24V	14.75 W	1068.8 lm	72.41 lm/W	CRI > 90	*2700K/3000K/3500K/4000K	15° / 24° / 36°	0.65 lb	32-113°F

ORDERING GUIDE Please refer to Page 8 for Track Compatibility.

MODEL	COLOR TEMPERATURE(CCT)	VOLTAGE	BODY FINISH	BEAM ANGLE
FLT-SS15	27K -2700K 30K -3000K 35K -3500K 40K -4000K	24V	BK -Black WT -White	15° 24° 36°

FLT-SS20



3000K performance data given. Refer to individual luminaire IES files for other CCTs.

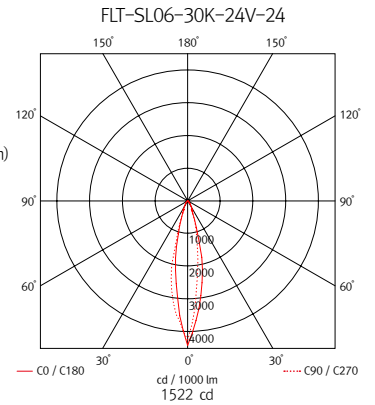
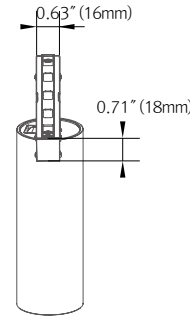
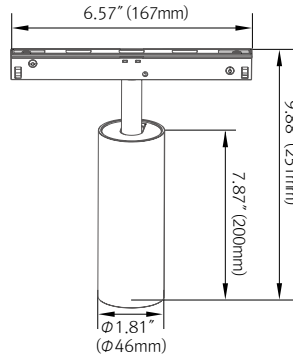
* 2700K, 3500K & 4000K available 4th Quarter 2020

Model Name	Power Input	Lamp Power	Luminous Flux	Luminous Efficacy	Color Rendering Index	Color Temperature (CCT)	Beam Angle	Weight of Luminaire	Operating Temperature
FLT-SS20 (color)-24V	DC 24V	20.84 W	1510 lm	72.48 lm/W	CRI > 90	*2700K/3000K/3500K/4000K	15° / 24° / 36°	0.79 lb	32-113°F

ORDERING GUIDE Please refer to Page 8 for Track Compatibility.

MODEL	COLOR TEMPERATURE(CCT)	VOLTAGE	BODY FINISH	BEAM ANGLE
FLT-SS20	27K -2700K 30K -3000K 35K -3500K 40K -4000K	24V	BK -Black WT -White	15° 24° 36°

FLT-SL06

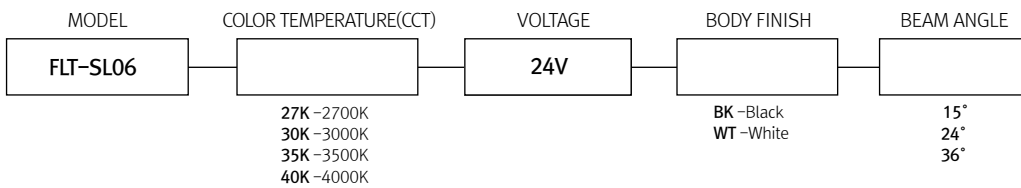


3000K performance data given. Refer to individual luminaire IES files for other CCTs.

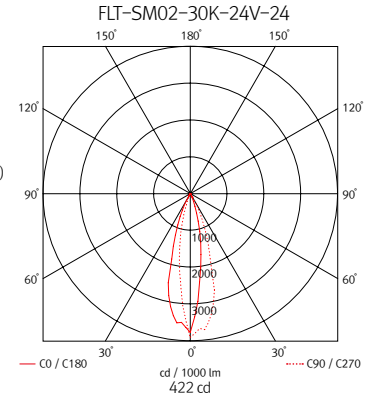
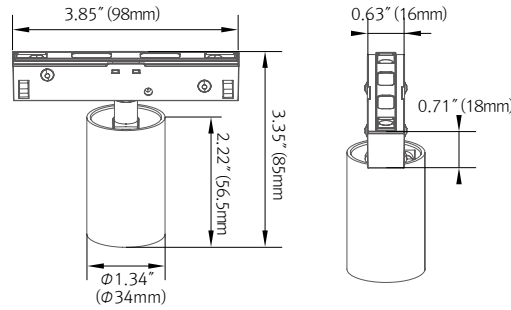
* 2700K, 3500K & 4000K available 4th Quarter 2020

Model Name	Power Input	Lamp Power	Luminous Flux	Luminous Efficacy	Color Rendering Index	Color Temperature (CCT)	Beam Angle	Weight of Luminaire	Operating Temperature
FLT-SL06 (color)-24V	DC 24V	5.2 W	361 lm	69.5 lm/W	CRI > 90	*2700K/3000K/3500K/4000K	15° / 24° / 36°	0.74 lb	32-113°F

ORDERING GUIDE Please refer to Page 8 for Track Compatibility.



FLT-SM02



3000K performance data given. Refer to individual luminaire IES files for other CCTs.

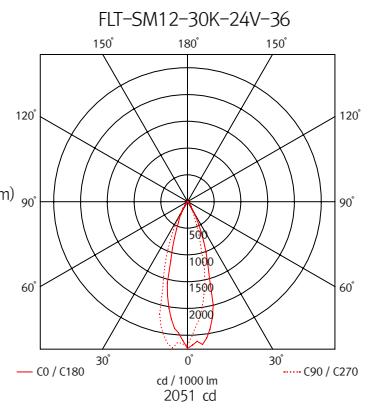
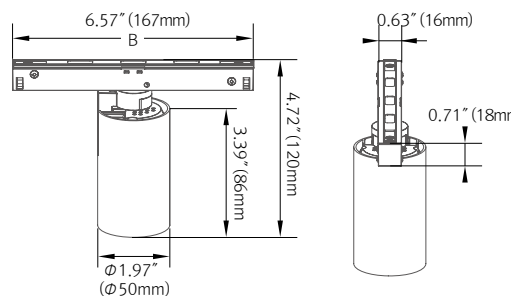
* 2700K, 3500K & 4000K available 4th Quarter 2020

Model Name	Power Input	Lamp Power	Luminous Flux	Luminous Efficacy	Color Rendering Index	Color Temperature (CCT)	Beam Angle	Weight of Luminaire	Operating Temperature
FLT-SM02 (color)-24V	DC 24V	1.7 W	98 lm	58.6 lm/W	CRI > 90	+2700K/3000K/3500K/4000K	15°/24°/36°	0.26 lb	32-113°F

ORDERING GUIDE Please refer to Page 8 for Track Compatibility.

MODEL	COLOR TEMPERATURE(CCT)	VOLTAGE	BODY FINISH	BEAM ANGLE
FLT-SM02	27K -2700K 30K -3000K 35K -3500K 40K -4000K	24V	BK -Black WT -White	15° 24° 36°

FLT-SM12



3000K performance data given. Refer to individual luminaire IES files for other CCTs.

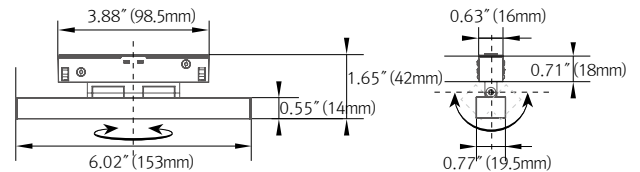
* 2700K, 3500K & 4000K available 4th Quarter 2020

Model Name	Power Input	Lamp Power	Luminous Flux	Luminous Efficacy	Color Rendering Index	Color Temperature (CCT)	Beam Angle	Weight of Luminaire	Operating Temperature
FLT-SM12 (color)-24V	DC 24V	10.2 W	763 lm	74.5 lm/W	CRI > 90	+2700K/3000K/3500K/4000K	15°/24°/36°	0.53 lb	32-113°F

ORDERING GUIDE Please refer to Page 8 for Track Compatibility.

MODEL	COLOR TEMPERATURE(CCT)	VOLTAGE	BODY FINISH	BEAM ANGLE
FLT-SM12	27K -2700K 30K -3000K 35K -3500K 40K -4000K	24V	BK -Black WT -White	15° 24° 36°

FLT-LS15

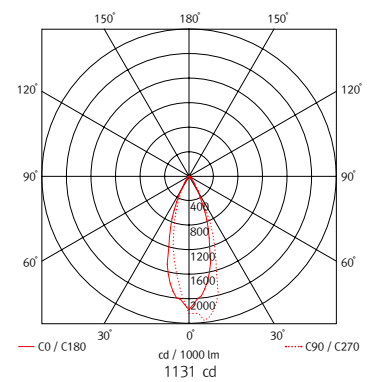


3000K performance data given. Refer to individual luminaire IES files for other CCTs.

* 2700K, 3500K & 4000K available 4th Quarter 2020

Model Name	Power Input	Lamp Power	Luminous Flux	Luminous Efficacy	Color Rendering Index	Color Temperature (CCT)	Beam Angle	Weight of Luminaire	Operating Temperature
FLT-LS15(color)-24V	DC 24V	5.9 W	497 lm	84.2 lm/W	CRI > 90	*2700K /3000K /3500K /4000K	24° 36°	0.24 lb	32-113°F

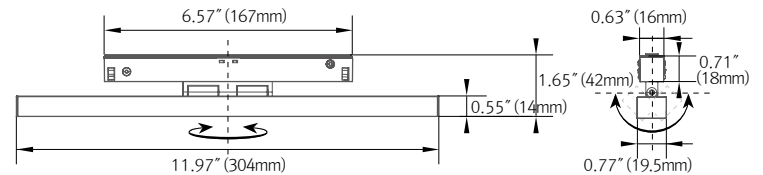
FLT-LS15-30K-24V-24



ORDERING GUIDE Please refer to Page 8 for Track Compatibility.

MODEL	COLOR TEMPERATURE(CCT)	VOLTAGE	BODY FINISH	BEAM ANGLE
FLT-LS15	27K -2700K 30K -3000K 35K -3500K 40K -4000K	24V	BK -Black WT -White	24° 36°

FLT-LS30

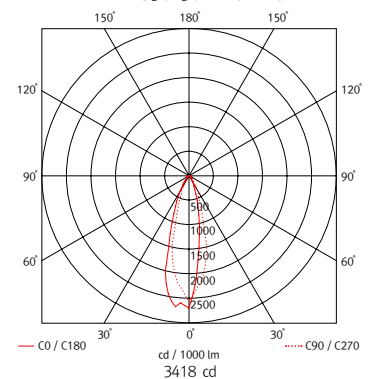


3000K performance data given. Refer to individual luminaire IES files for other CCTs.

* 2700K, 3500K & 4000K available 4th Quarter 2020

Model Name	Power Input	Lamp Power	Luminous Flux	Luminous Efficacy	Color Rendering Index	Color Temperature (CCT)	Beam Angle	Weight of Luminaire	Operating Temperature
FLT-LS30(color)-24V	DC 24V	11.5W	941 lm	81.8 lm/W	CRI > 90	*2700K /3000K /3500K /4000K	24° 36°	0.4 lb	32-113°F

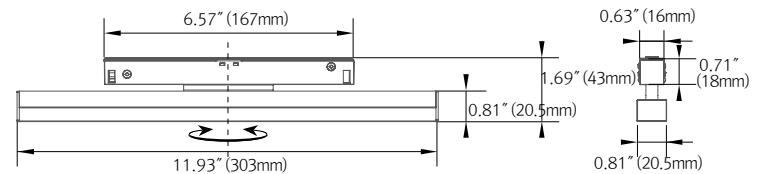
FLT-LS30-30K-24V-24



ORDERING GUIDE Please refer to Page 8 for Track Compatibility.

MODEL	COLOR TEMPERATURE(CCT)	VOLTAGE	BODY FINISH	BEAM ANGLE
FLT-LS30	27K -2700K 30K -3000K 35K -3500K 40K -4000K	24V	BK -Black WT -White	24° 36°

FLT-LM30

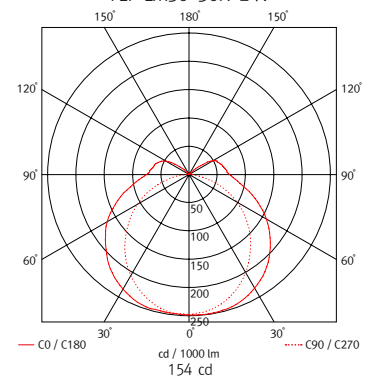


3000K performance data given. Refer to individual luminaire IES files for other CCTs.

* 2700K, 3500K & 4000K available 4th Quarter 2020

Model Name	Power Input	Lamp Power	Luminous Flux	Luminous Efficacy	Color Rendering Index	Color Temperature (CCT)	Beam Angle	Weight of Luminaire	Operating Temperature
FLT-LM30(color)-24V	DC 24V	8.6W	556 lm	65.1 lm/W	CRI > 90	*2700K /3000K /3500K /4000K	130°	0.35 lb	32-113°F

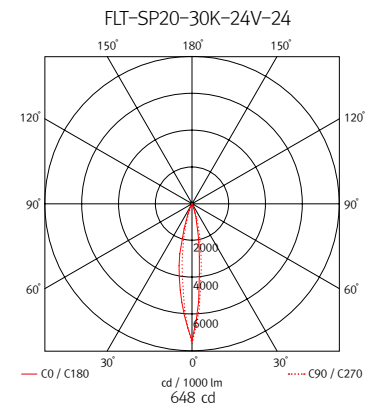
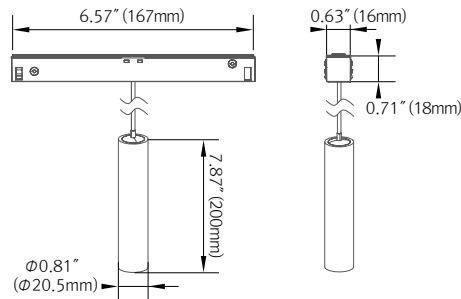
FLT-LM30-30K-24V



ORDERING GUIDE Please refer to Page 8 for Track Compatibility.

MODEL	COLOR TEMPERATURE(CCT)	VOLTAGE	BODY FINISH	BEAM ANGLE
FLT-LM30	27K -2700K 30K -3000K 35K -3500K 40K -4000K	24V	BK -Black WT -White	130°

FLT-SP20

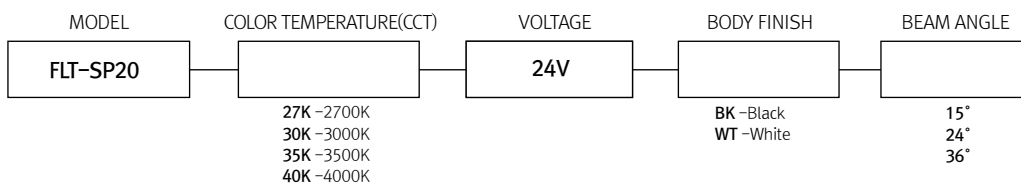


3000K performance data given. Refer to individual luminaire IES files for other CCTs.

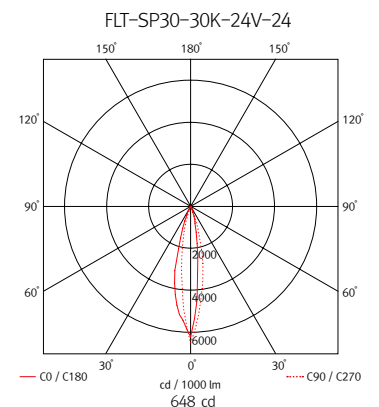
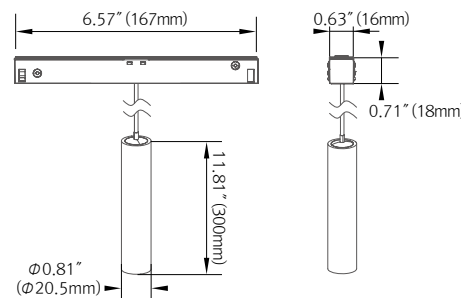
* 2700K, 3500K & 4000K available 4th Quarter 2020

Model Name	Power Input	Lamp Power	Luminous Flux	Luminous Efficacy	Color Rendering Index	Color Temperature (CCT)	Beam Angle	Weight of Luminaire	Operating Temperature
FLT-SP20 (color)-24V	DC 24V	2.8 W	80.6 lm	28.7 lm/W	CRI > 90	*2700K/3000K/3500K/4000K	15°/24°/36°	0.47 lb	32-113°F

ORDERING GUIDE Please refer to Page 8 for Track Compatibility.



FLT-SP30

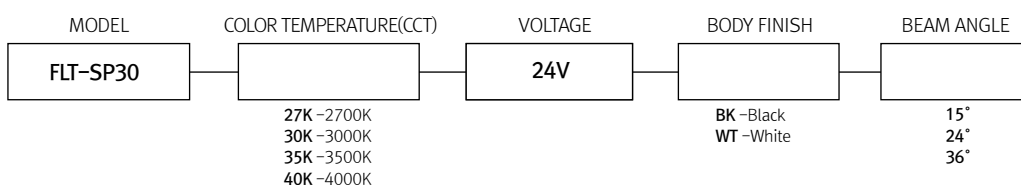


3000K performance data given. Refer to individual luminaire IES files for other CCTs.

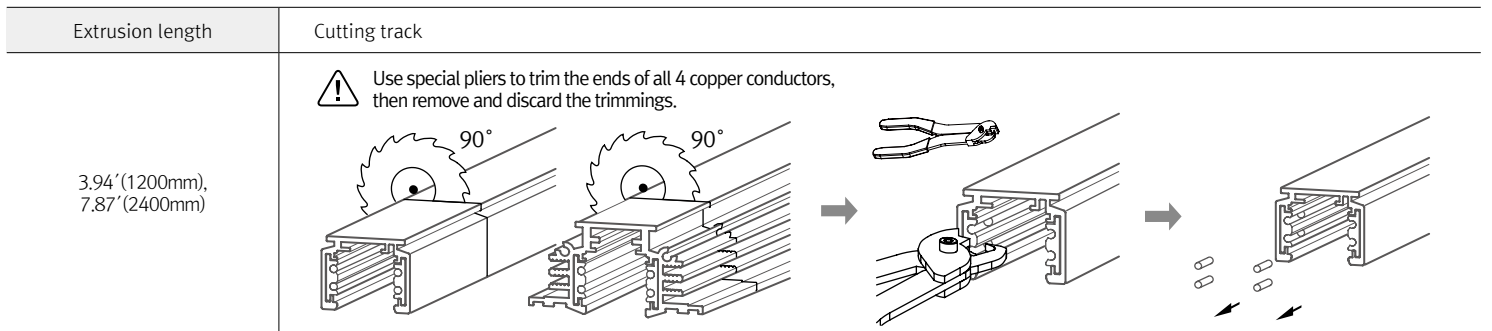
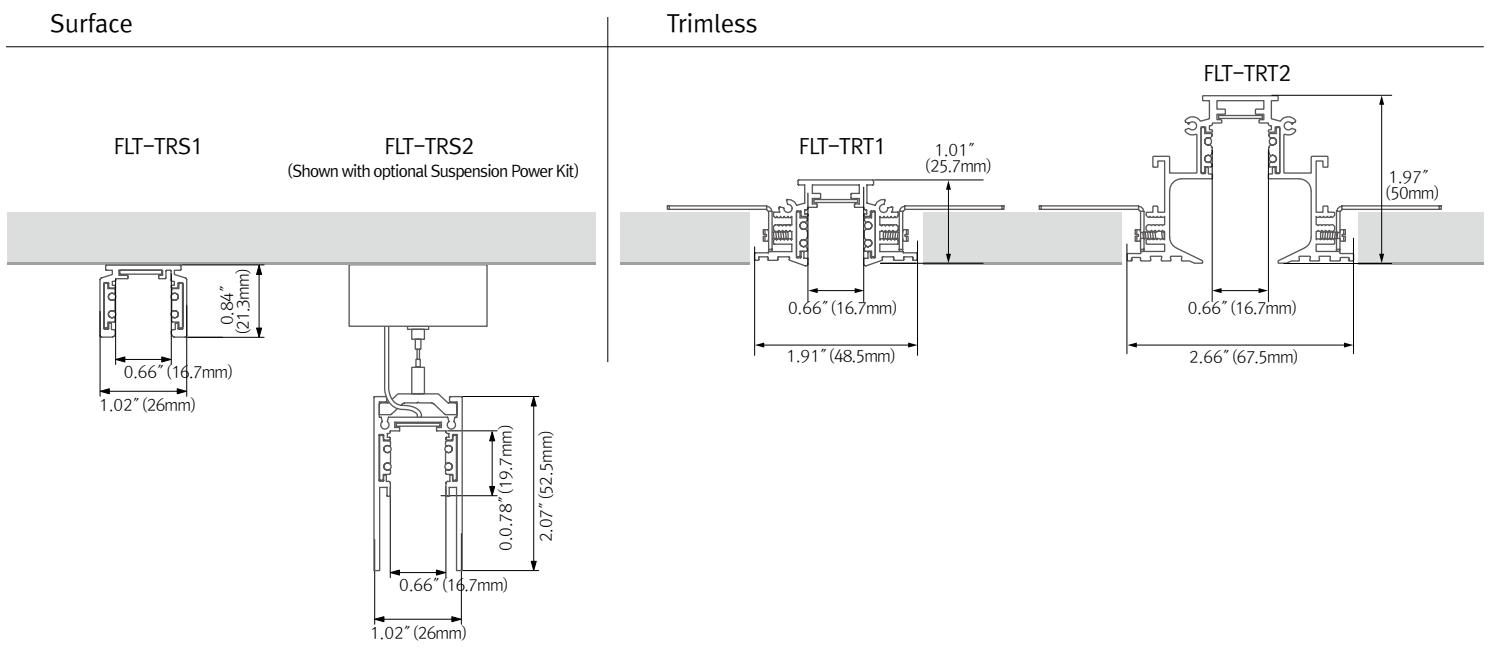
* 2700K, 3500K & 4000K available 4th Quarter 2020

Model Name	Power Input	Lamp Power	Luminous Flux	Luminous Efficacy	Color Rendering Index	Color Temperature (CCT)	Beam Angle	Weight of Luminaire	Operating Temperature
FLT-SP30 (color)-24V	DC 24V	2.8 W	80.6 lm	28.7 lm/W	CRI > 90	*2700K/3000K/3500K/4000K	15°/24°/36°	0.65 lb	32-113°F

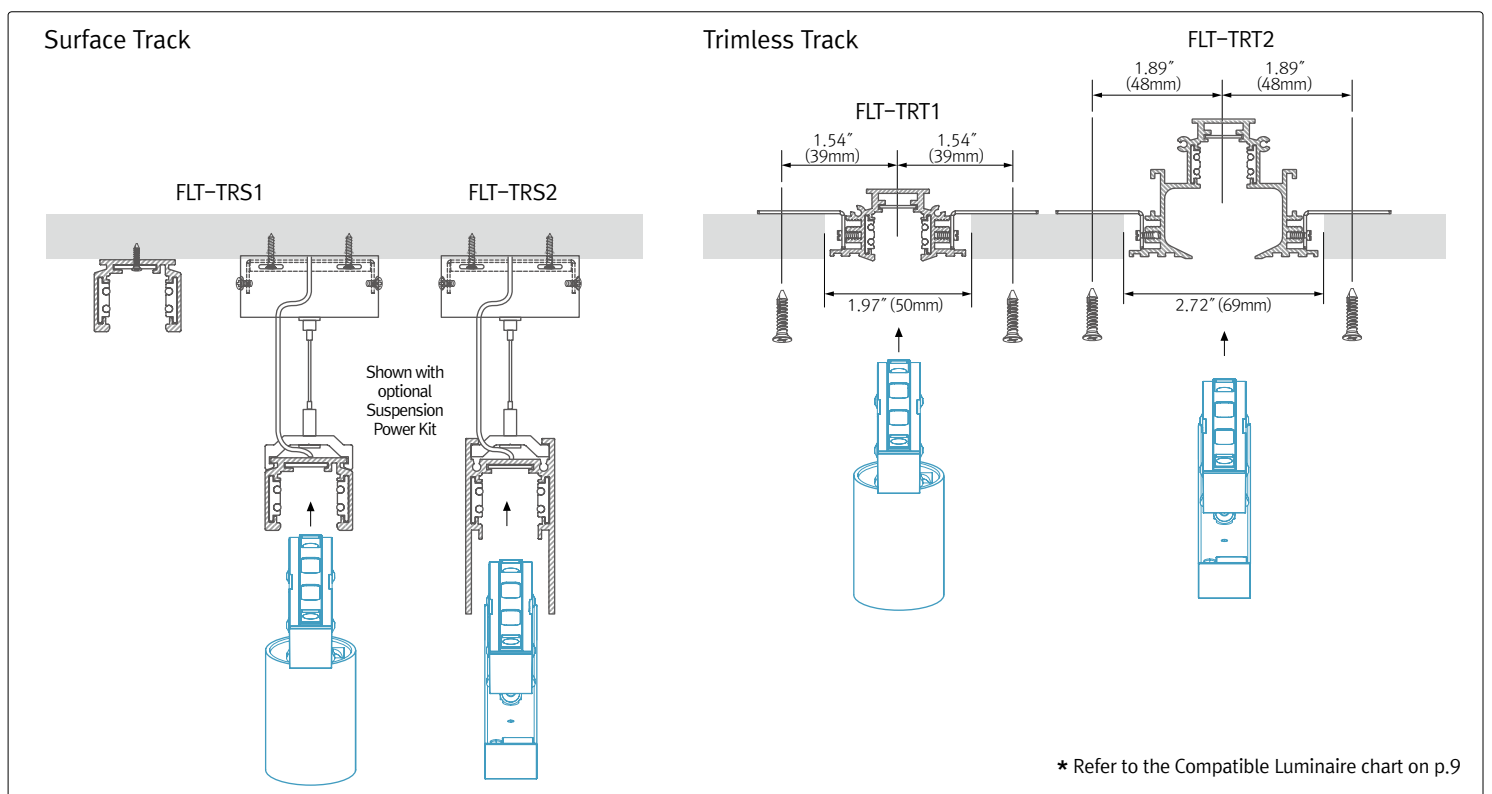
ORDERING GUIDE Please refer to Page 8 for Track Compatibility.



Dimension

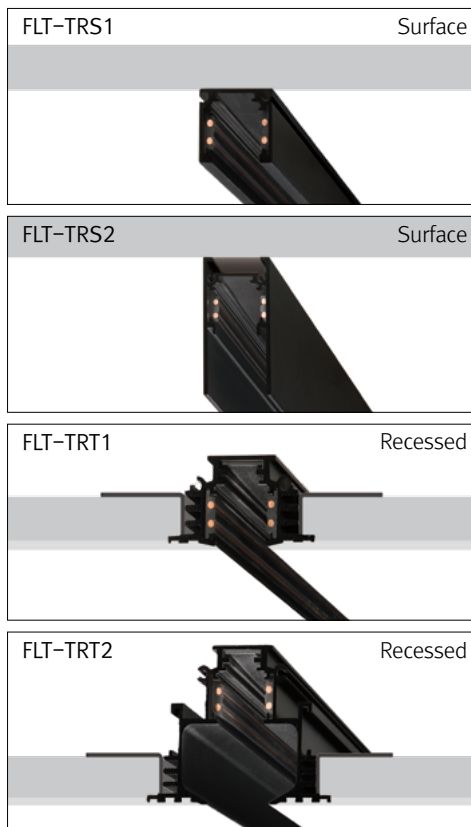


Installation *

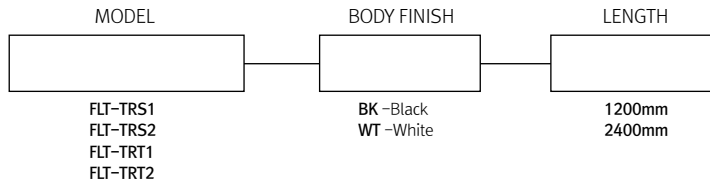


* Refer to the Compatible Luminaire chart on p.9

FLT Track



ORDERING GUIDE



Compatible Luminaires				
Luminaire	FLT-TRS1	FLT-TRS2	FLT-TRT1	FLT-TRT2
FLT-SS06	○	○	○	○
FLT-SS09 *	○	○	○	○
FLT-SS15	○	○	○	○
FLT-SS20	○	○	○	○
FLT-SL06	○	○	○	○
FLT-SM02	○	○	○	○
FLT-SM12	○	○	○	○
FLT-LS15 *	○	○	○	○
FLT-LS30 *	○	○	○	○
FLT-LM30 *	○	○	○	○
FLT-SP20 *	○	○	○	○
FLT-SP30 *	○	○	○	○

*Installation into the FLT-TRS2 track or the FLT-TRT2 track disables the ability to tilt and rotate the luminaire.

Components

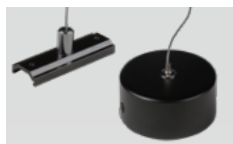
BK : Black / WT : white



Power Connector
_FLT-OPC-BK
_FLT-OPC-WT



Direct Connector
_FLT-CPL-BK
_FLT-CPL-WT



Suspension Power Kit for TRS1
_FLT-SK-POWER1-BK
_FLT-SK-POWER1-WT



Suspension Bracket for TRS1
_FLT-SK-BRACKET1-BK
_FLT-SK-BRACKET1-WT



Suspension Power Kit for TRS2
_FLT-SK-POWER2-BK
_FLT-SK-POWER2-WT



Suspension Bracket for TRS2
_FLT-SK-BRACKET2-BK
_FLT-SK-BRACKET2-WT



Joint Bracket for TRS1
_FLT-TRS1-JOINT-BK



Joint Bracket for TRS2
_FLT-TRS2-JOINT-BK
_FLT-TRS2-JOINT-WT



Joint Bracket for TRT1,2
_FLT-TRT-JOINT-BK



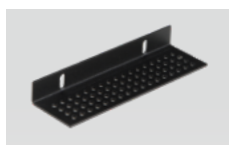
Holder for TRT1 Track
_FLT-TRT1-HOLDER

Hold Track when installing



Holder for TRT2 Track
_FLT-TRT2-HOLDER

Hold Track when installing



TRT WING for Trimless Track
_FLT-TRT-WING



Fixture Remover
_FLT-REMOVER



Hard Wire Driver
(90V to 300V)
_XLAV80(L)-124V-SSB
_XLD200-224V-FCL-DIM
_XLD75-124V-FC



LED Drivers
With distributor and power cord 1800mm(6')
_FLC30-24V/XL
_FLC75-24V-P/XL



Dimming Interface (0-10V)
_FDC-L10
Max. 100W (100W/CH, 1CH)



Dimming Interface (0-10V, DMX512)
_FDA-L2M0
Max. 100W (100W/CH, 2CH)
_FDA-L5M
Max. 200W (50W/CH, 5CH)



Dimming Interface (DALI)
_FDD-L1DA
Max. 200W (100W/feed, 2feeds)