

Please open all cartons immediately to ensure all material is on-site and undamaged.  
Any claims must be filed within 15 days of receipt of product.

#### Please read all assembly and installation instructions of Feelux products

1. Before attempting to install or use fixture, read and understand the following installation instructions and safety labels.
2. If you have any questions, please contact Feelux Lighting Technical Support at:
  - a. 678.668.7005 ext. 113 or techsupport@feeluxlighting.com
3. Feelux product must be installed by a licensed electrician in accordance with all National and Local Electrical and Construction Codes and Regulations.
4. Verify electrical plan.
5. Ensure the main power supply is off before installing or wiring fixtures.
6. Do not install a fixture if the unit, lens, housing or power cables are damaged.
7. Fixtures have no serviceable parts.
8. Do not use a fixture or driver for any voltage for which it is not rated.
9. Do not exceed the specified voltage, current or wattage for any fixture or driver
10. Feelux Lighting FLX Stix complies with Part 15 of the FCC rules. Class B Digital Apparatus complies with Canadian ICES-003.
11. Feelux FLX Stix fixtures are damp rated and closet approved.
12. Confirm that Driver/Transformer is compatible with fixtures and proposed dimming control system.
13. IMPORTANT NOTE – FLX STIX HDV/HDPro REQUIRES A POWER FEED AT EVERY 75W.

#### Feelux Lighting FLX Stix HDV/HDPro Installation Instructions

1. Feelux FLX Stix HDV/HDPro product requires a power feed for every 75W.
  - a. Side Feed units can be used for continuous, uninterrupted installation of lighting.
  - b. Side Feed units have factory installed power cable.
2. Splicing: HDVPC/HDPPC and Side Feed Power Cables are 8'.
  - a. If remote mount driver/power option is used
    1. Contractor to provide low voltage wire from driver/transformer to Power Cable.
  - b. Contractor must test for 24V signal at all splice points.
  - c. Polarity must be followed and is:

Lead: Gray Striped – Negative	Lead: ++++++ - Negative
Lead: White Wire – Positive	Lead: XXXXXXX - Positive
3. Feelux PTC Connecting Cables (Jumpers) cannot be modified.
4. HDV/HDPro-Bracket3 MUST be used to support all junction points. This bracket is included with the fixture.
5. Product cannot be installed via magnets when installing in downward position. Please check with factory for information.
6. For the HDV, the Standard lens must be removed prior to replacement with optional (RM, SM) Spot Free lens covers. HDPro has the Spot Free Lenses only. No options available.
7. In-Line dimmer option is available for FLX Stix HDV/HDPro. Maximum load is 75W.

**CAUTION: DO NOT EXCEED RATED WATTAGE OF PRODUCT OR DRIVER AT ANY TIME**

### Approved Drivers and Transformer

The Drivers and Transformers listed below are approved for the Feelux FLX Stix Series:

- Feelux FLC, XLD and XLAV Series Drivers
- Justin Power Supplies
- Lutron
- Q-Tran: Q6S, QTM and QTM-ELED

\*Please note when dimming that DC + Cap is required. Please check with factory.

- Eklipse Light Manager

**Please note that for FLC and XLD75, the FDC-L10 dimming interface is required. Please check with Feelux Lighting for additional Driver/Power Supply options. Using unapproved Driver/Power Supply may void warranty.**

### Tips

1. Make certain all surfaces are free of dirt and debris prior to installation.
2. Snap fixtures firmly together to ensure proper connection.
3. Bracket 3 must be used at all connection points.
4. Use mounting brackets for proper alignment.
5. After installation remove/blow off all construction dust and debris.
6. Fixtures must be protected from paint and paint splatter.
7. When using optional Spot Free lenses
  - a. For straight runs, ensure there are no gaps between the lens. They should meet end to end.
  - b. End caps must be used at end points to keep dust and debris out of the fixtures.
  - c. When using in stagger pattern, end caps must be applied to each fixture.

### Troubleshooting

1. Check electrical and mechanical connections points.
2. Verify that connections are using brackets 3.
3. Is the fixture run over the maximum wattage/maximum run length?
4. Is the wattage exceeded for the driver?
5. Verify that polarity was followed if power cord spliced.
6. Check for voltage drop.
7. Is the driver being used the correct unit for the dimming control?

**CAUTION: DO NOT EXCEED RATED WATTAGE OF PRODUCT OR DRIVER AT ANY TIME**

**Mounting and Mounting Hardware**

FLX Stix Series are shipped with Standard Mounting Brackets and Magnetic Plates

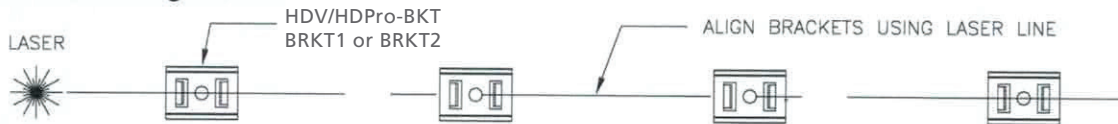
Angled Mounting Brackets are ordered separately.

Brackets are to be installed with 2" from ends of the unit to support the junction point.

For fixtures of 24" longer, install a 3rd mounting bracket near the center.

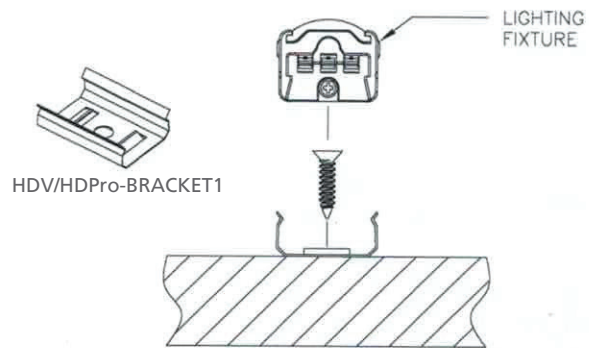
Bracket 3 is included and must be installed at all connection points.

**Align all brackets using laser line**



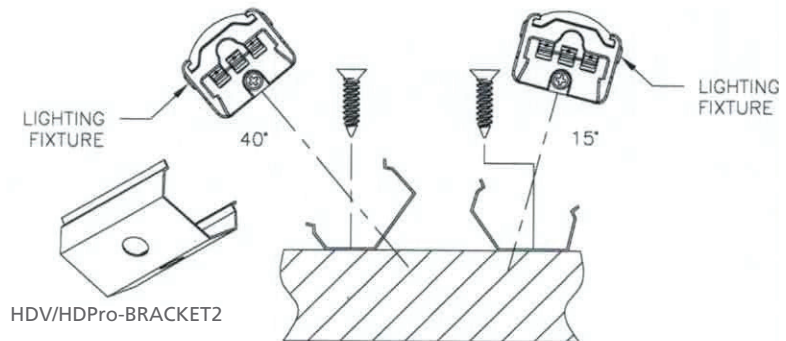
**Standard Mounting:**

1. Assemble fixtures
2. Align / Install Brackets using laser line
3. Snap fixtures into brackets



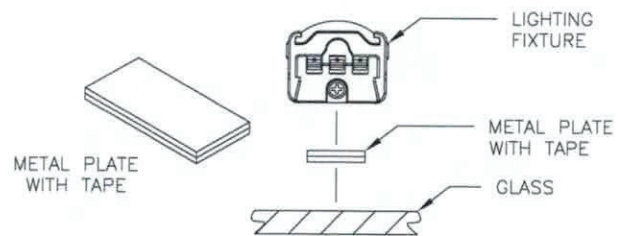
**Optional: Angled Brackets**  
Brackets can be used  
40 degree and 15 degree  
mounting positions.

1. Assemble fixtures
2. Align / Install Brackets using laser line
3. Snap fixtures into Brackets



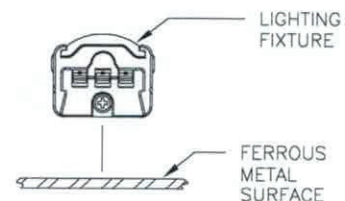
**Mounting Option: Magnetic Mounting  
with Metal Plates to be  
used ONLY on glass surfaces,  
ONLY on horizontal positions.**

1. Assemble fixtures
2. Place Metal Plates on magnets in the back of the fixtures
3. Peel off double stick tape
4. Holding the fixtures press the exposed tape side to the glass surface



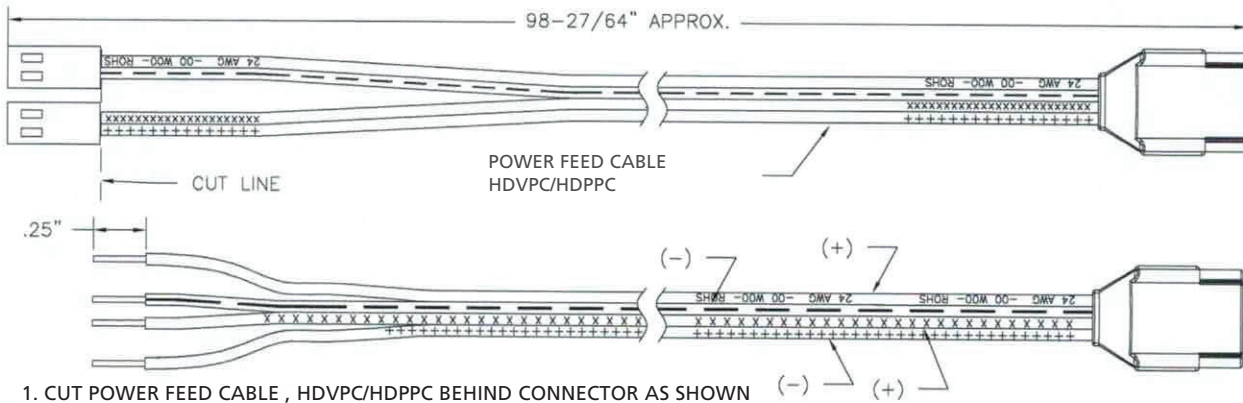
**Mounting Option: Magnetic Mounting  
for use on ferrous metal surfaces**

1. Assemble fixtures
2. Snap fixtures onto ferrous metal surface



## DRIVERS & ACCESSORIES

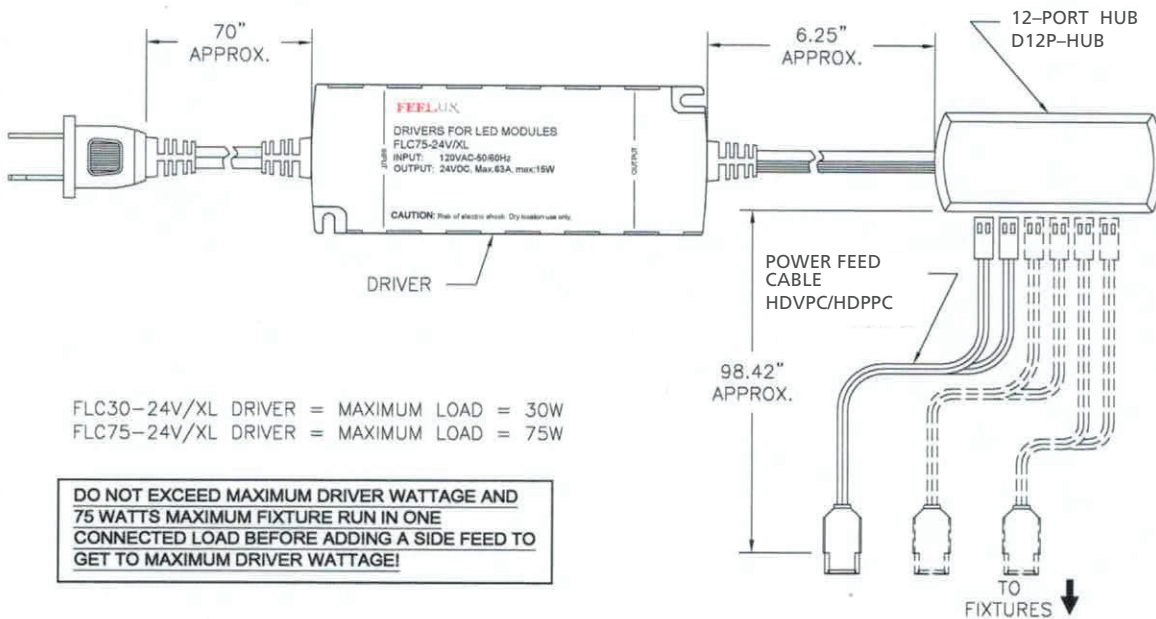
### HDVPC/HDPPC Power Feed Cable Modification



1. CUT POWER FEED CABLE , HDVPC/HDPPC BEHIND CONNECTOR AS SHOWN
2. STRIP BACK POWER FEED CABLE, HDVPC/HDPPC TO APPROX. .25"
3. POLARITY MUST BE FOLLOWED:
 

Lead: Gray Striped – Negative	Lead: ++++++ – Negative
Lead: White Wire – Positive	Lead: XXXXXXX – Positive

### FEELUX Driver FLCXX-24V/XL Driver and 12-Port Hub Standard Install

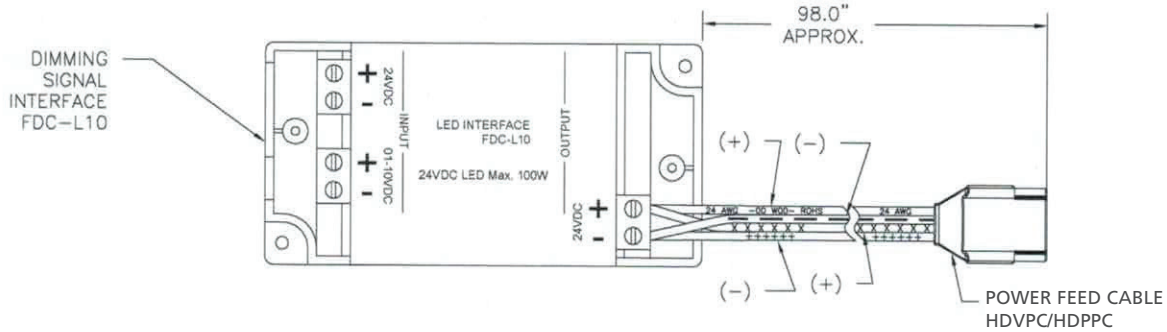


FLC30-24V/XL DRIVER = MAXIMUM LOAD = 30W  
 FLC75-24V/XL DRIVER = MAXIMUM LOAD = 75W

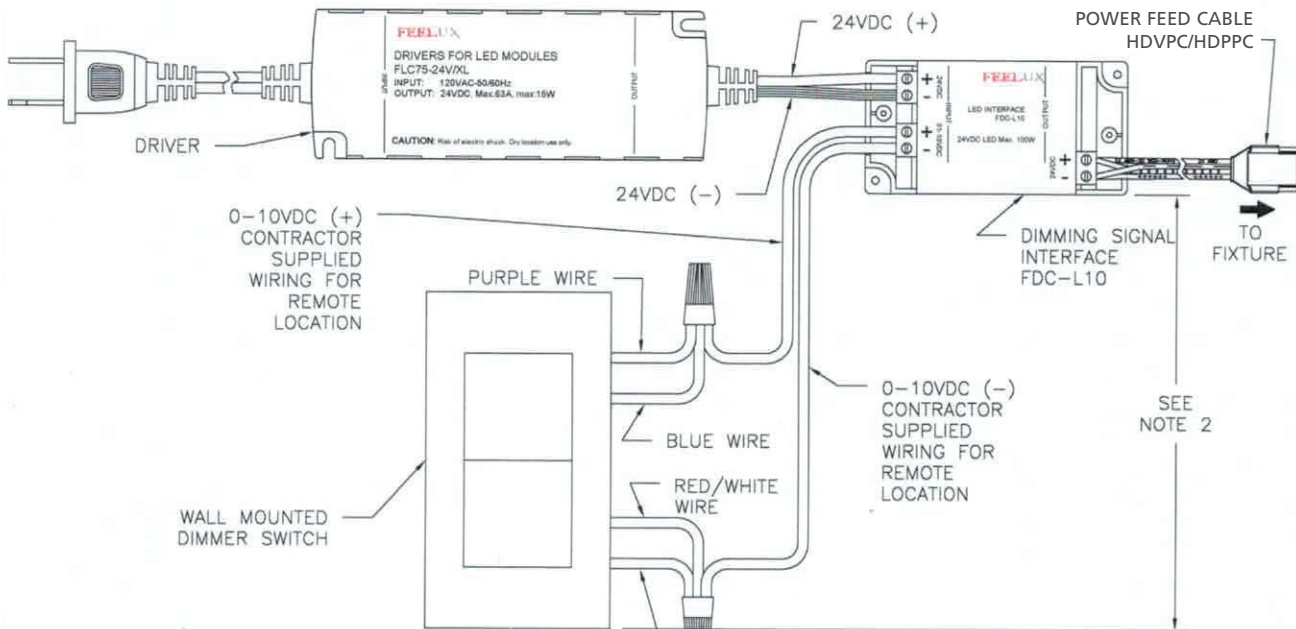
**DO NOT EXCEED MAXIMUM DRIVER WATTAGE AND 75 WATTS MAXIMUM FIXTURE RUN IN ONE CONNECTED LOAD BEFORE ADDING A SIDE FEED TO GET TO MAXIMUM DRIVER WATTAGE!**

**DIMMING: FDC-L10 Dimming Interface is required for FLC30, FLC75 and XLD75. Dimming is 0-10V**

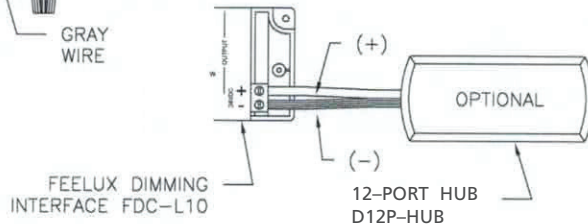
**Wiring FEELUX Dimming Signal Interface, FDC-L10 to Power Feed Cable, HDVPC/HDPPC**



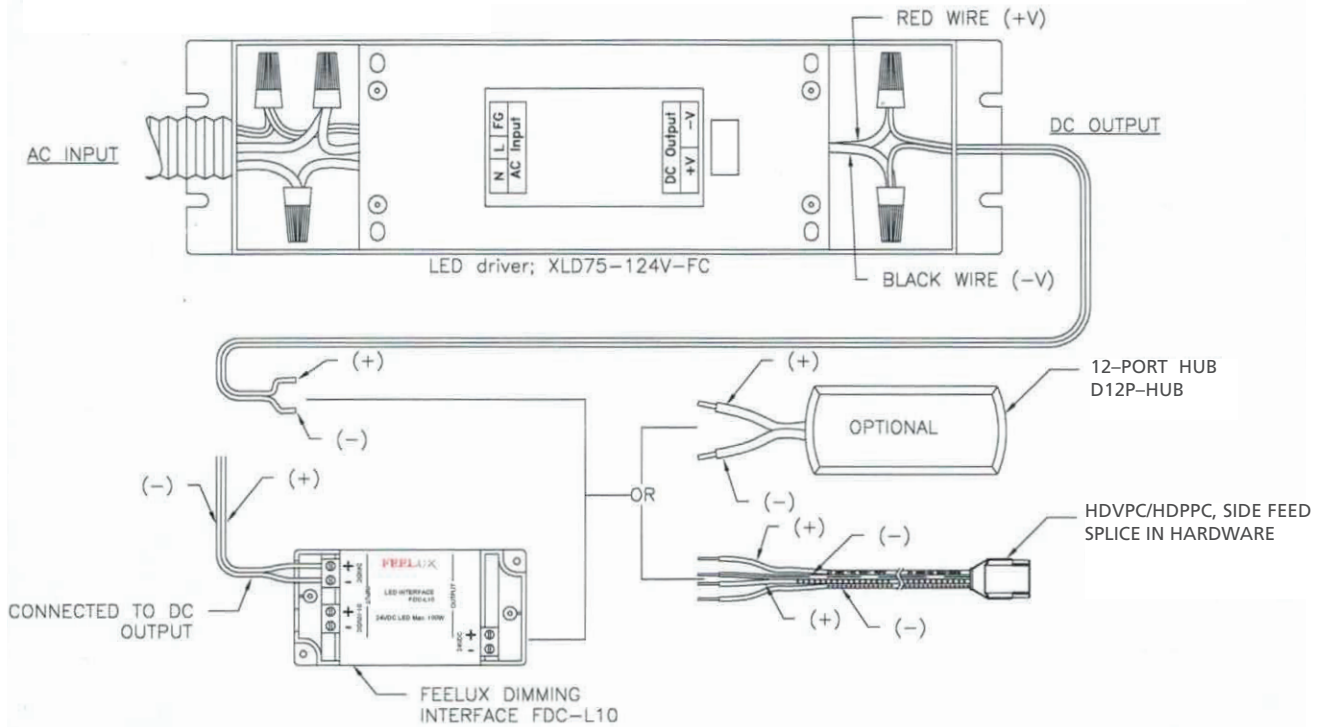
**Wiring FEELUX Driver, Dimming Signal Interface FDC-L10 and Power Feed Cable, HDVPC/HDPPC to Wall Mounted Dimmer Switch**



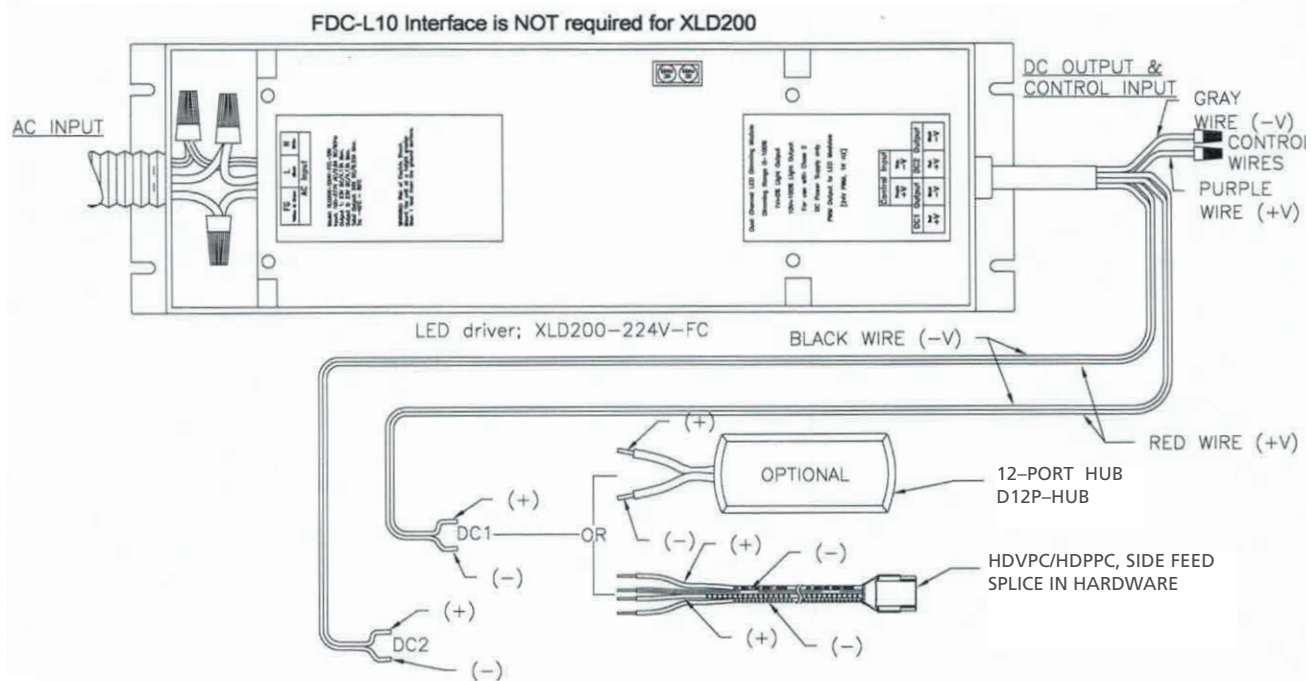
1. ATTACH FEELUX DRIVER, FLCXX-24V/XL WITH MODIFIED CABLE AND FEELUX DIMMING SIGNAL INTERFACE, FDC-L10 TO WALL MOUNTED DIMMER SWITCH AS SHOWN.
2. FOR WIRING DISTANCE, REFER TO NEC GUIDE-LINES FOR WIRE GAUGE AND MAXIMUM WIRING DISTANCE.



**FEELUX XLD75 Driver, Dimming Signal Interface FDC-L10 and 12-Port HUB Hardwire Driver**



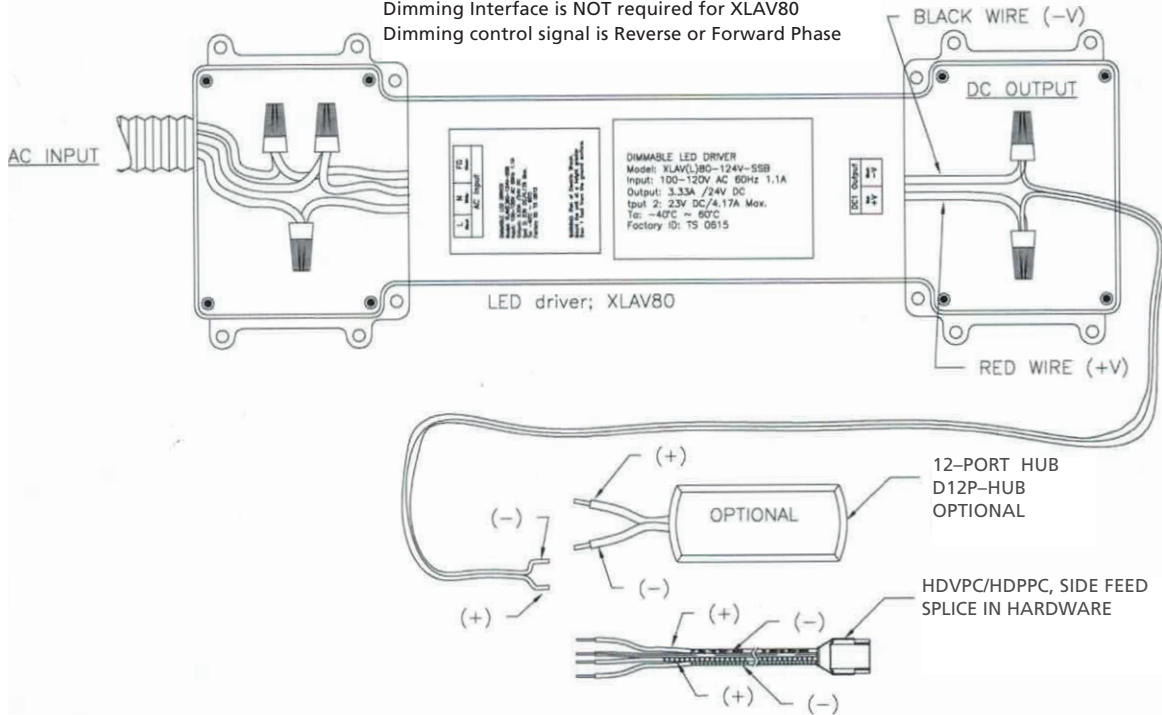
**FEELUX XLD200 Driver, 12-Port HUB and Hardwire to PTC Connection**



1. CONNECT CONTROL WIRE TO DIMMER SWITCH IF DIMMING IS REQUIRED
2. FEELUX DIMMING INTERFACE FDC-L10 IS NOT REQUIRED WITH XLD200W DRIVER.
3. XLD200 DRIVER HAS 2 96W OUTPUTS. DC1 & DC2
4. THE D12P-HUB OR HDVPC/HDPPC & SIDE FEED CAN BE CONNECTED TO BOTH OUTPUTS
5. FOR WIRING DISTANCE. REFER TO NEC GUIDE-LINES FOR WIRE GAUGE AND MAXIMUM WIRING DISTANCE.

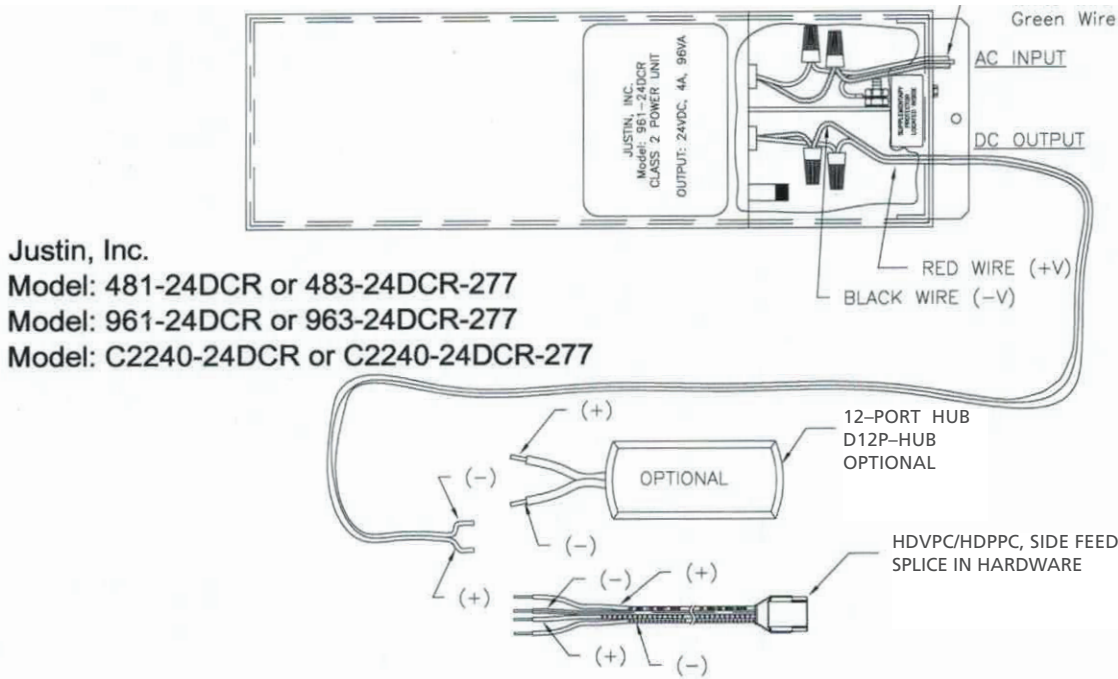
**FEELUX XLAV80 Constant Voltage Dimmable LED Driver.**

Dimming Interface is NOT required for XLAV80  
Dimming control signal is Reverse or Forward Phase



**FEELUX JUSTIN Dimmable LED Driver, 12-Port HUB and PTC Hardwire**

Dimming Interface is NOT required. Dimming control signal is Forward Phase



**Justin, Inc.**  
**Model: 481-24DCR or 483-24DCR-277**  
**Model: 961-24DCR or 963-24DCR-277**  
**Model: C2240-24DCR or C2240-24DCR-277**

## Feelux Voltage Drop Chart

Feelux FLX Stix 24V Products: Maximum Distance per Wire AWG

Driver	18 AWG	16 AWG	14 AWG	12 AWG
--------	--------	--------	--------	--------

## Feelux Cord and Plug Drivers

FLC30-24V/XL	12'	15'	20'	20'
FLC75-24V/XL	12'	15'	20'	20'

## Approved Remote Mounted Drivers and Transformers

XLD75-124V-FC	25'	50'	75'	100'
XLD200-224V-FCL-DIM	25'	50'	75'	100'
XLAV80(L)-124V-SSB	25'	50'	75'	100'
Justin	25'	50'	75'	100'
Other Approved Units	25'	50'	75'	100'

\* NOTE: Before attempting to install or use fixtures, read and understand the installation instructions and safety labels. If you have any questions, please contact Feelux Lighting Technical Support at 678.668.7005 ext. 113. Feelux products must be installed by a qualified electrician in accordance with all national and local electrical and construction codes and regulations.