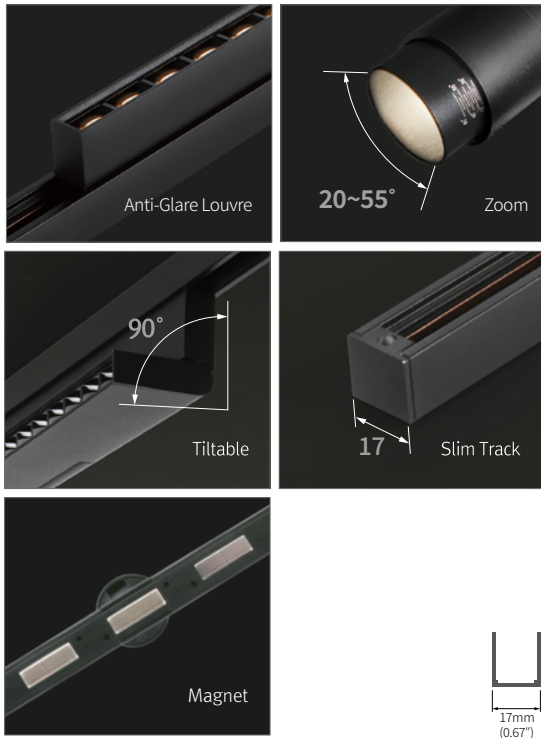


DATE _____

PROJECT _____

LOCATION _____

TYPE _____



FTM Track System

Super Slim Magnetic Low Voltage Track System-48V



PRODUCT FEATURES

- Ultra Small, Magnetic Track/Rail System
- Zoom Beam Anlge for FTM-SS05, -SS15
- Available tilting up to 90°
- Constant Voltage DC 48V
- Surface, Trimless and Pendant Mount Track Available
- Dim 0-10V

PRODUCT SPECIFICATIONS

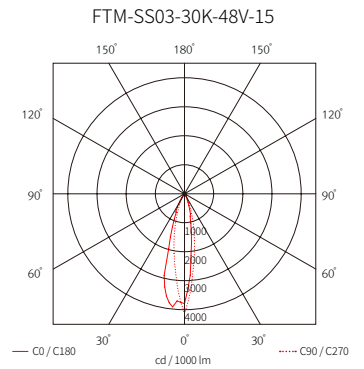
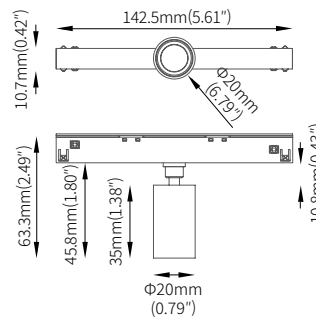
- Voltage : DC 48V
- Operating Temperature : 0-45°C(32-113°F)
- Lamp Life : 50,000 hrs / 70%
- Finishes : Black, White
- Color Rendering : CRI > 90

SPECIFICATION-FIXTURES

Performance data shown below for 3000K CCT. Refer to individual luminaire IES files for other CCT options.

Model Name	Power Input	Lamp Power	Luminous Flux	Luminous Efficacy	Color Rendering Index	Color Temperature(CCT)	Beam Angle	Operating Temperature
FTM-SS03 (color)K-48V	DC 48V	3 W	186.9 lm	63.36 lm/W	CRI > 90	2700K/3000K/3500K/4000K	15°/24°	0-45°C (32-113°F)
FTM-SS05 (color)K-48V	DC 48V	5 W	438.9 lm	76.07 lm/W	CRI > 90	2700K/3000K/3500K/4000K	15°/24°/36°	0-45°C (32-113°F)
FTM-SS05 (color)K-48V_ZOOM	DC 48V	5 W	280.7 lm	56.54 lm/W	CRI > 90	2700K/3000K/3500K/4000K	15°~40°	0-45°C (32-113°F)
FTM-SS10 (color)K-48V	DC 48V	10 W	744.6 lm	76.34 lm/W	CRI > 90	2700K/3000K/3500K/4000K	15°/24°/36°	0-45°C (32-113°F)
FTM-SS15 (color)K-48V	DC 48V	15 W	1,186.3 lm	79.08 lm/W	CRI > 90	2700K/3000K/3500K/4000K	15°/24°/36°	0-45°C (32-113°F)
FTM-SS15 (color)K-48V-ZOOM	DC 48V	15 W	1,055.4 lm	73.95 lm/W	CRI > 90	2700K/3000K/3500K/4000K	20°~55°	0-45°C (32-113°F)
FTM-LS20 (color)K-48V	DC 48V	10 W	587.7 lm	62.52 lm/W	CRI > 90	2700K/3000K/3500K/4000K	30°	0-45°C (32-113°F)
FTM-LS20 (color)K-48V-TILT	DC 48V	10 W	602.3 lm	63.80 lm/W	CRI > 90	2700K/3000K/3500K/4000K	30°	0-45°C (32-113°F)
FTM-LS30 (color)K-48V	DC 48V	15 W	839.4 lm	64.05 lm/W	CRI > 90	2700K/3000K/3500K/4000K	30°	0-45°C (32-113°F)
FTM-LS30 (color)K-48V-TILT	DC 48V	15 W	827.9 lm	64.21 lm/W	CRI > 90	2700K/3000K/3500K/4000K	30°	0-45°C (32-113°F)
FTM-LM20 (color)K-48V	DC 48V	10 W	475.4 lm	47.91 lm/W	CRI > 90	2700K/3000K/3500K/4000K	110°	0-45°C (32-113°F)
FTM-LM20 (color)K-48V-TILT	DC 48V	10 W	455.1 lm	45.17 lm/W	CRI > 90	2700K/3000K/3500K/4000K	110°	0-45°C (32-113°F)
FTM-LM30 (color)K-48V	DC 48V	15 W	724.5 lm	52.42 lm/W	CRI > 90	2700K/3000K/3500K/4000K	110°	0-45°C (32-113°F)
FTM-LM30 (color)K-48V-TILT	DC 48V	15 W	710.5 lm	53.38 lm/W	CRI > 90	2700K/3000K/3500K/4000K	110°	0-45°C (32-113°F)

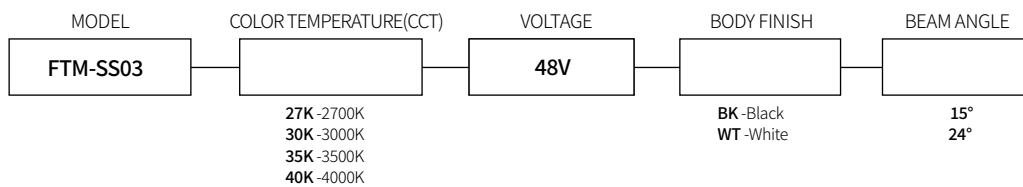
FTM-SS03



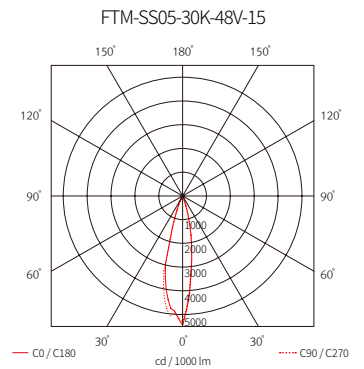
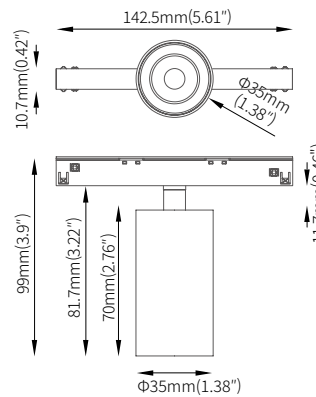
3000K performance data given. Refer to individual luminaire IES files for other CCTs.

Model Name	Power Input	Lamp Power	Luminous Flux	Luminous Efficacy	Color Rendering Index	Color Temperature (CCT)	Beam Angle	Weight of Luminaire	Operating Temperature
FTM-SS03 (color)K-48V	DC 48V	3 W	186.9 lm	63.36 lm/W	CRI > 90	2700K/3000K/3500K/4000K	15°/24°	41g (0.09lb)	0-45°C (32-113°F)

ORDERING GUIDE



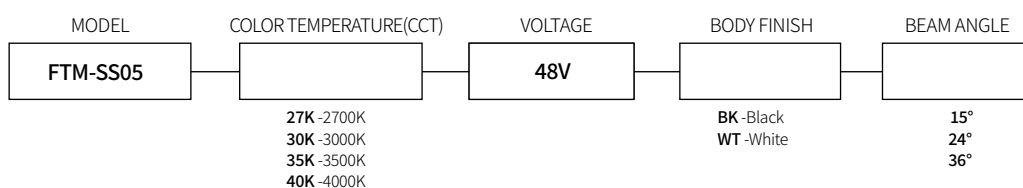
FTM-SS05



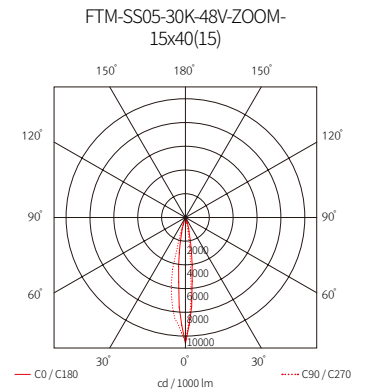
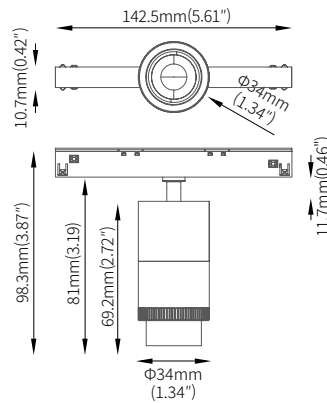
3000K performance data given. Refer to individual luminaire IES files for other CCTs.

Model Name	Power Input	Lamp Power	Luminous Flux	Luminous Efficacy	Color Rendering Index	Color Temperature (CCT)	Beam Angle	Weight of Luminaire	Operating Temperature
FTM-SS05 (color)K-48V	DC 48V	5 W	438.9 lm	76.07 lm/W	CRI > 90	2700K/3000K/3500K/4000K	15° / 24° / 36°	126g (0.28lb)	0-45°C (32-113°F)

ORDERING GUIDE



FTM-SS05-ZOOM



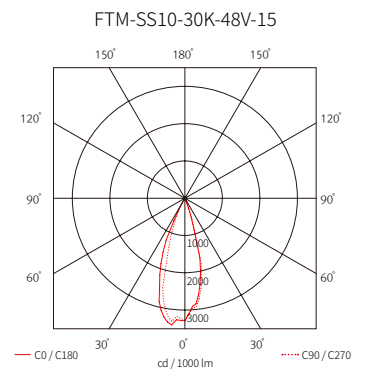
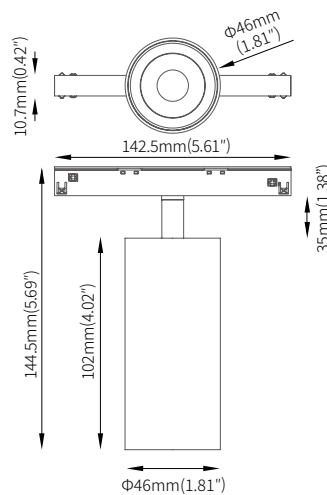
3000K performance data given. Refer to individual luminaire IES files for other CCTs.

Model Name	Power Input	Lamp Power	Luminous Flux	Luminous Efficacy	Color Rendering Index	Color Temperature (CCT)	Beam Angle	Weight of Luminaire	Operating Temperature
FTM-SS05 (color)K-48V-ZOOM	DC 48V	5 W	280.7 lm	56.54 lm/W	CRI > 90	2700K/3000K/3500K/4000K	15° ~ 40°	126g (0.28lb)	0-45°C (32-113°F)

ORDERING GUIDE

MODEL	COLOR TEMPERATURE(CCT)	VOLTAGE	BODY FINISH	BEAM ANGLE
FTM-SS05	27K -2700K 30K -3000K 35K -3500K 40K -4000K	48V	BK -Black WT -White	15° ~ 40°

FTM-SS10



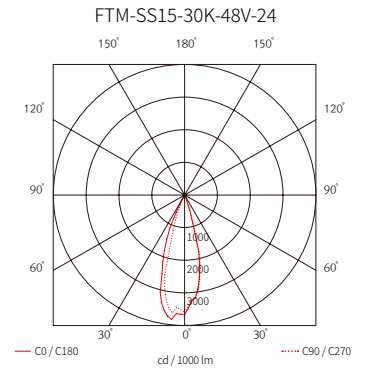
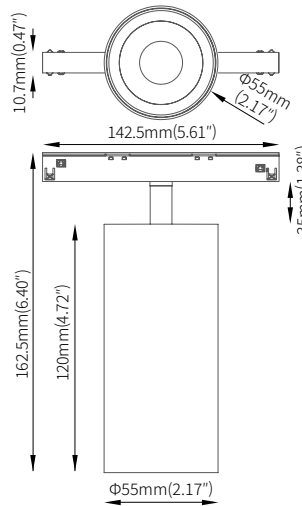
3000K performance data given. Refer to individual luminaire IES files for other CCTs.

Model Name	Power Input	Lamp Power	Luminous Flux	Luminous Efficacy	Color Rendering Index	Color Temperature (CCT)	Beam Angle	Weight of Luminaire	Operating Temperature
FTM-SS10 (color)K-48V	DC 48V	10 W	744.6 lm	76.34 lm/W	CRI > 90	2700K/3000K/3500K/4000K	15° / 24° / 36°	171g (0.38lb)	0-45°C (32-113°F)

ORDERING GUIDE

MODEL	COLOR TEMPERATURE(CCT)	VOLTAGE	BODY FINISH	BEAM ANGLE
FTM-SS10	27K -2700K 30K -3000K 35K -3500K 40K -4000K	48V	BK -Black WT -White	15° 24° 36°

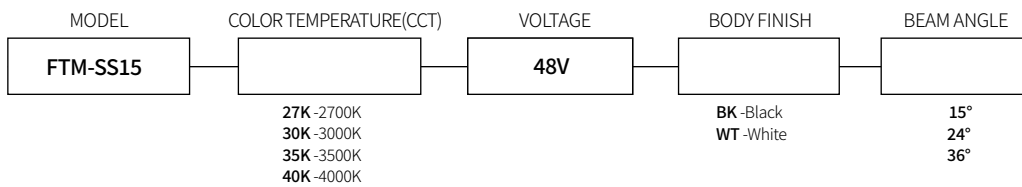
FTM-SS15



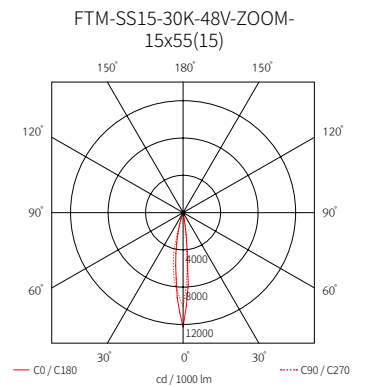
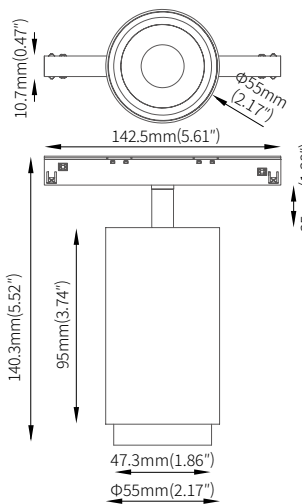
3000K performance data given. Refer to individual luminaire IES files for other CCTs.

Model Name	Power Input	Lamp Power	Luminous Flux	Luminous Efficacy	Color Rendering Index	Color Temperature (CCT)	Beam Angle	Weight of Luminaire	Operating Temperature
FTM-SS15 (color)K-48V	DC 48V	15 W	1,186.3 lm	79.08 lm/W	CRI > 90	2700K/3000K/3500K/4000K	15° / 24° / 36°	245g (0.54lb)	0-45°C (32-113°F)

ORDERING GUIDE



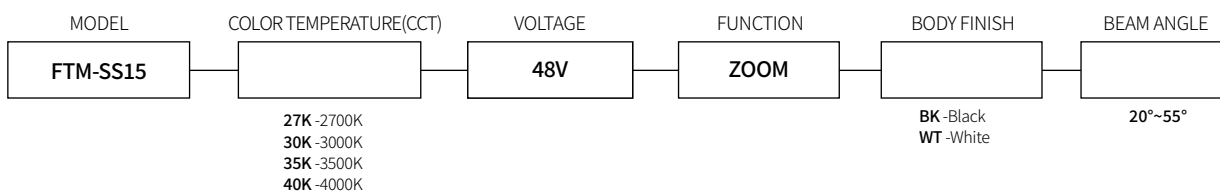
FTM-SS15-ZOOM



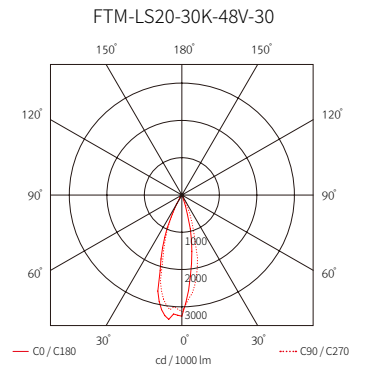
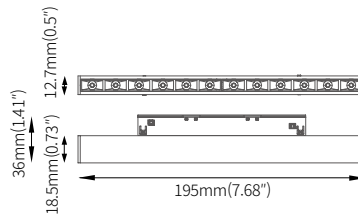
3000K performance data given. Refer to individual luminaire IES files for other CCTs.

Model Name	Power Input	Lamp Power	Luminous Flux	Luminous Efficacy	Color Rendering Index	Color Temperature (CCT)	Beam Angle	Weight of Luminaire	Operating Temperature
FTM-SS15 (color)K-48V-ZOOM	DC 48V	15 W	1,055.4 lm	73.95 lm/W	CRI > 90	2700K/3000K/3500K/4000K	20° ~ 55°	269g (0.60lb)	0-45°C (32-113°F)

ORDERING GUIDE



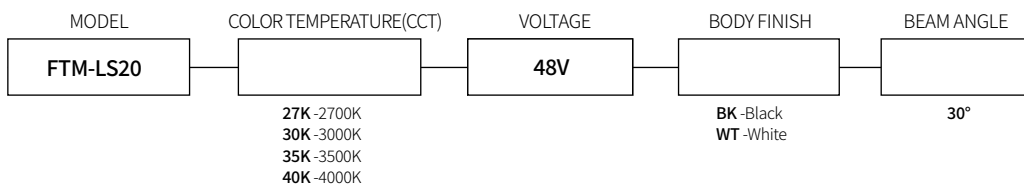
FTM-LS20



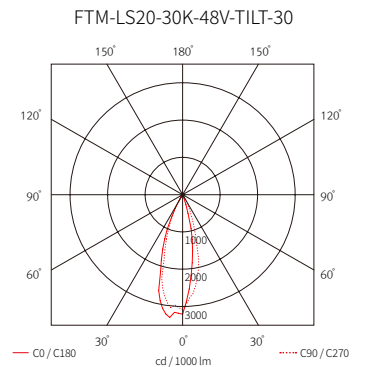
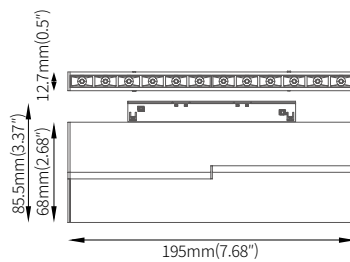
3000K performance data given. Refer to individual luminaire IES files for other CCTs.

Model Name	Power Input	Lamp Power	Luminous Flux	Luminous Efficacy	Color Rendering Index	Color Temperature (CCT)	Beam Angle	Weight of Luminaire	Operating Temperature
FTM-LS20 (color)K-48V	DC 48V	10 W	587.7 lm	62.52 lm/W	CRI > 90	2700K/3000K/3500K/4000K	30 °	78g (0.17lb)	0-45°C (32-113°F)

ORDERING GUIDE



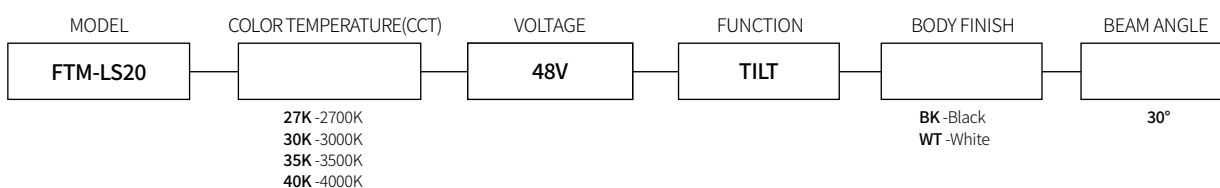
FTM-LS20-TILT



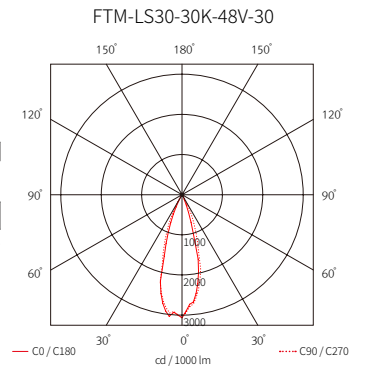
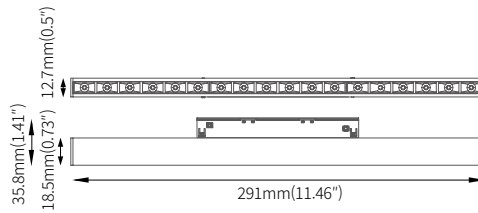
3000K performance data given. Refer to individual luminaire IES files for other CCTs.

Model Name	Power Input	Lamp Power	Luminous Flux	Luminous Efficacy	Color Rendering Index	Color Temperature (CCT)	Beam Angle	Weight of Luminaire	Operating Temperature
FTM-LS20 (color)K-48V-TILT	DC 48V	10 W	602.3 lm	63.80 lm/W	CRI > 90	2700K/3000K/3500K/4000K	30 °	197g (0.43lb)	0-45°C (32-113°F)

ORDERING GUIDE



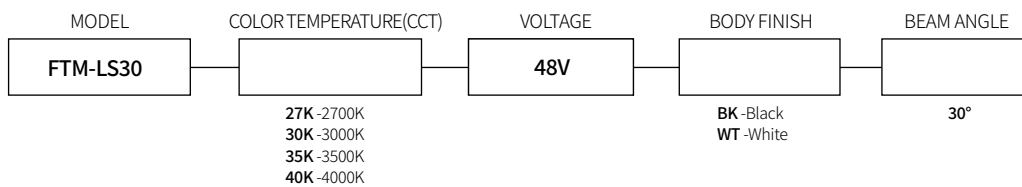
FTM-LS30



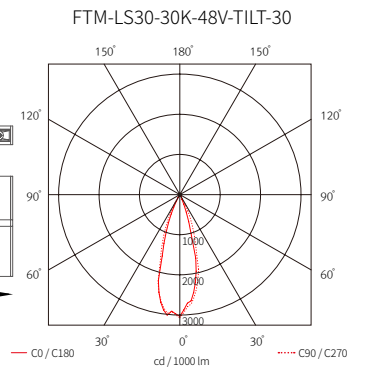
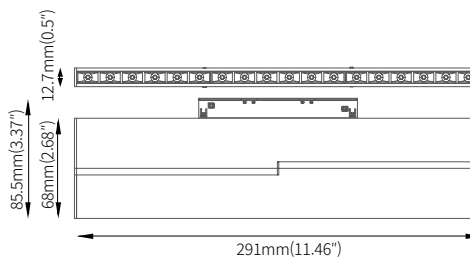
3000K performance data given. Refer to individual luminaire IES files for other CCTs.

Model Name	Power Input	Lamp Power	Luminous Flux	Luminous Efficacy	Color Rendering Index	Color Temperature (CCT)	Beam Angle	Weight of Luminaire	Operating Temperature
FTM-LS30 (color)K-48V	DC 48V	15 W	839.4 lm	64.05 lm/W	CRI > 90	2700K/3000K/3500K/4000K	30 °	107g (0.24lb)	0-45°C (32-113°F)

ORDERING GUIDE



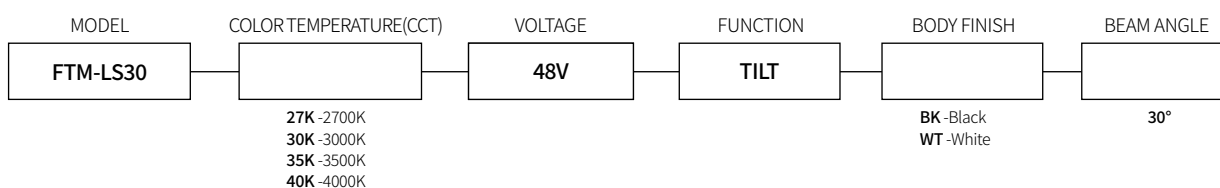
FTM-LS30-TILT



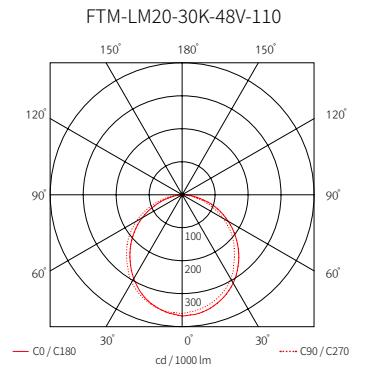
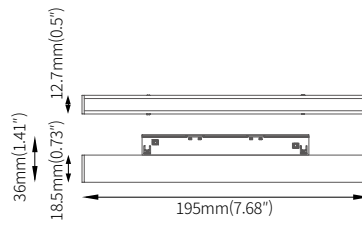
3000K performance data given. Refer to individual luminaire IES files for other CCTs.

Model Name	Power Input	Lamp Power	Luminous Flux	Luminous Efficacy	Color Rendering Index	Color Temperature (CCT)	Beam Angle	Weight of Luminaire	Operating Temperature
FTM-LS30 (color)K-48V-TILT	DC 48V	15 W	827.9 lm	64.21 lm/W	CRI > 90	2700K/3000K/3500K/4000K	30 °	276g (0.61lb)	0-45°C (32-113°F)

ORDERING GUIDE



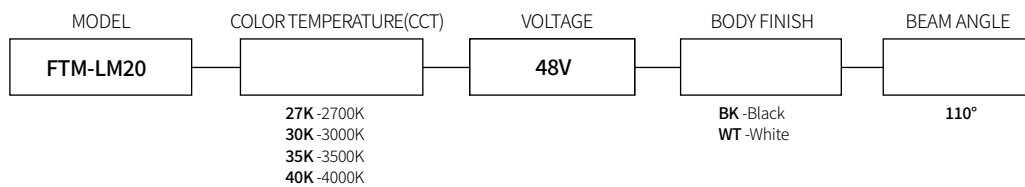
FTM-LM20



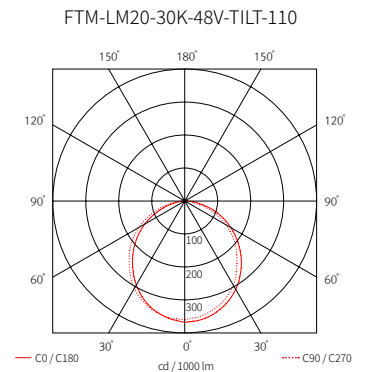
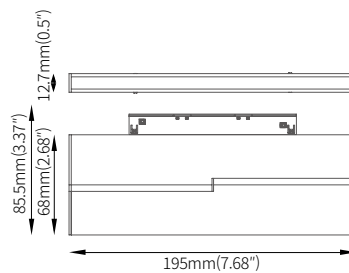
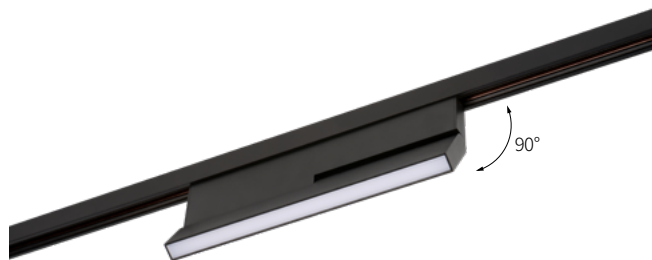
3000K performance data given. Refer to individual luminaire IES files for other CCTs.

Model Name	Power Input	Lamp Power	Luminous Flux	Luminous Efficacy	Color Rendering Index	Color Temperature (CCT)	Beam Angle	Weight of Luminaire	Operating Temperature
FTM-LM20 (color)K-48V	DC 48V	10 W	475.4 lm	47.91 lm/W	CRI > 90	2700K/3000K/3500K/4000K	110°	72g (0.16lb)	0-45°C (32-113°F)

ORDERING GUIDE



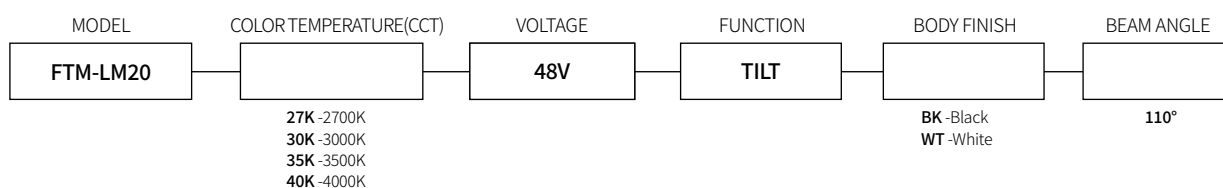
FTM-LM20-TILT



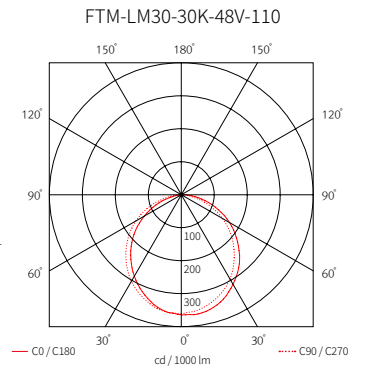
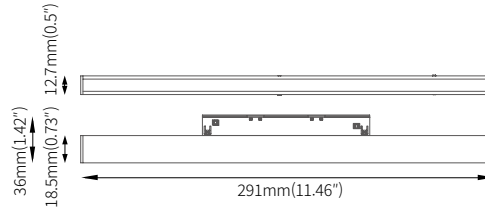
3000K performance data given. Refer to individual luminaire IES files for other CCTs.

Model Name	Power Input	Lamp Power	Luminous Flux	Luminous Efficacy	Color Rendering Index	Color Temperature (CCT)	Beam Angle	Weight of Luminaire	Operating Temperature
FTM-LM20 (color)K-48V-TILT	DC 48V	10 W	455.1 lm	45.17 lm/W	CRI > 90	2700K/3000K/3500K/4000K	110°	192g (0.42lb)	0-45°C (32-113°F)

ORDERING GUIDE



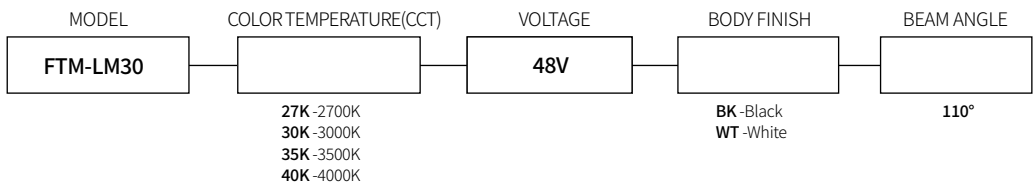
FTM-LM30



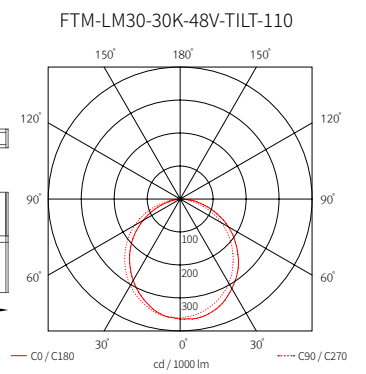
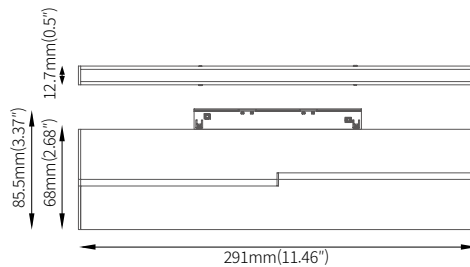
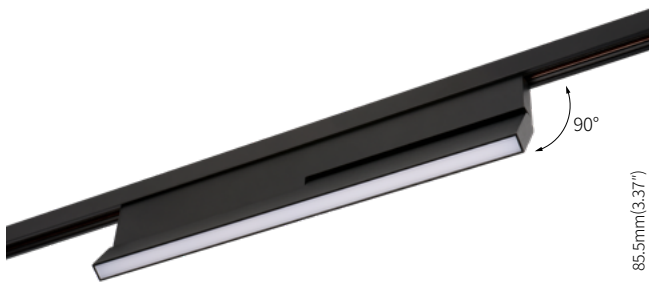
3000K performance data given. Refer to individual luminaire IES files for other CCTs.

Model Name	Power Input	Lamp Power	Luminous Flux	Luminous Efficacy	Color Rendering Index	Color Temperature (CCT)	Beam Angle	Weight of Luminaire	Operating Temperature
FTM-LM30 (color)K-48V	DC 48V	15 W	724.5 lm	52.42 lm/W	CRI > 90	2700K/3000K/3500K/4000K	110°	98g (0.22lb)	0-45°C (32-113°F)

ORDERING GUIDE



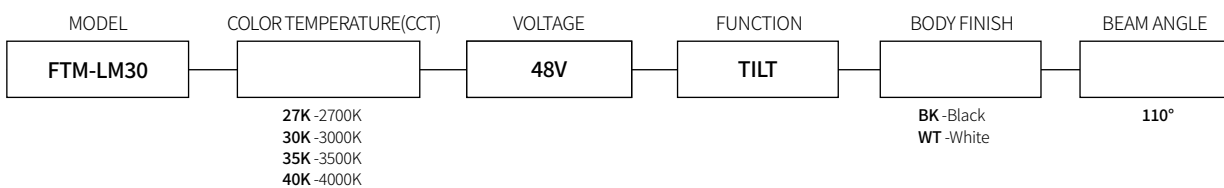
FTM-LM30-TILT



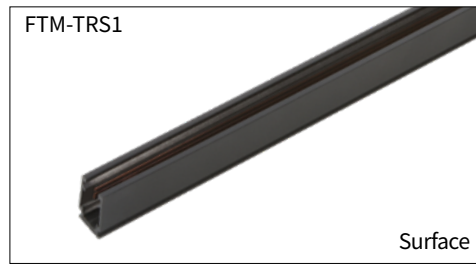
3000K performance data given. Refer to individual luminaire IES files for other CCTs.

Model Name	Power Input	Lamp Power	Luminous Flux	Luminous Efficacy	Color Rendering Index	Color Temperature (CCT)	Beam Angle	Weight of Luminaire	Operating Temperature
FTM-LM30 (color)K-48V-TILT	DC 48V	15 W	710.5 lm	53.38 lm/W	CRI > 90	2700K/3000K/3500K/4000K	110°	269g (0.59lb)	0-45°C (32-113°F)

ORDERING GUIDE



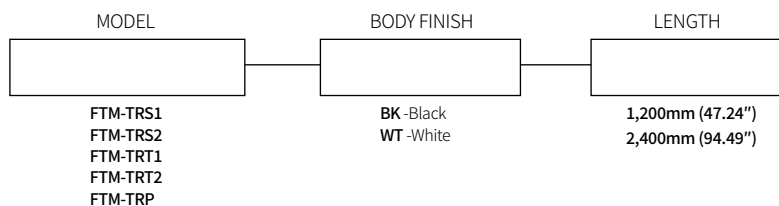
FTM Track



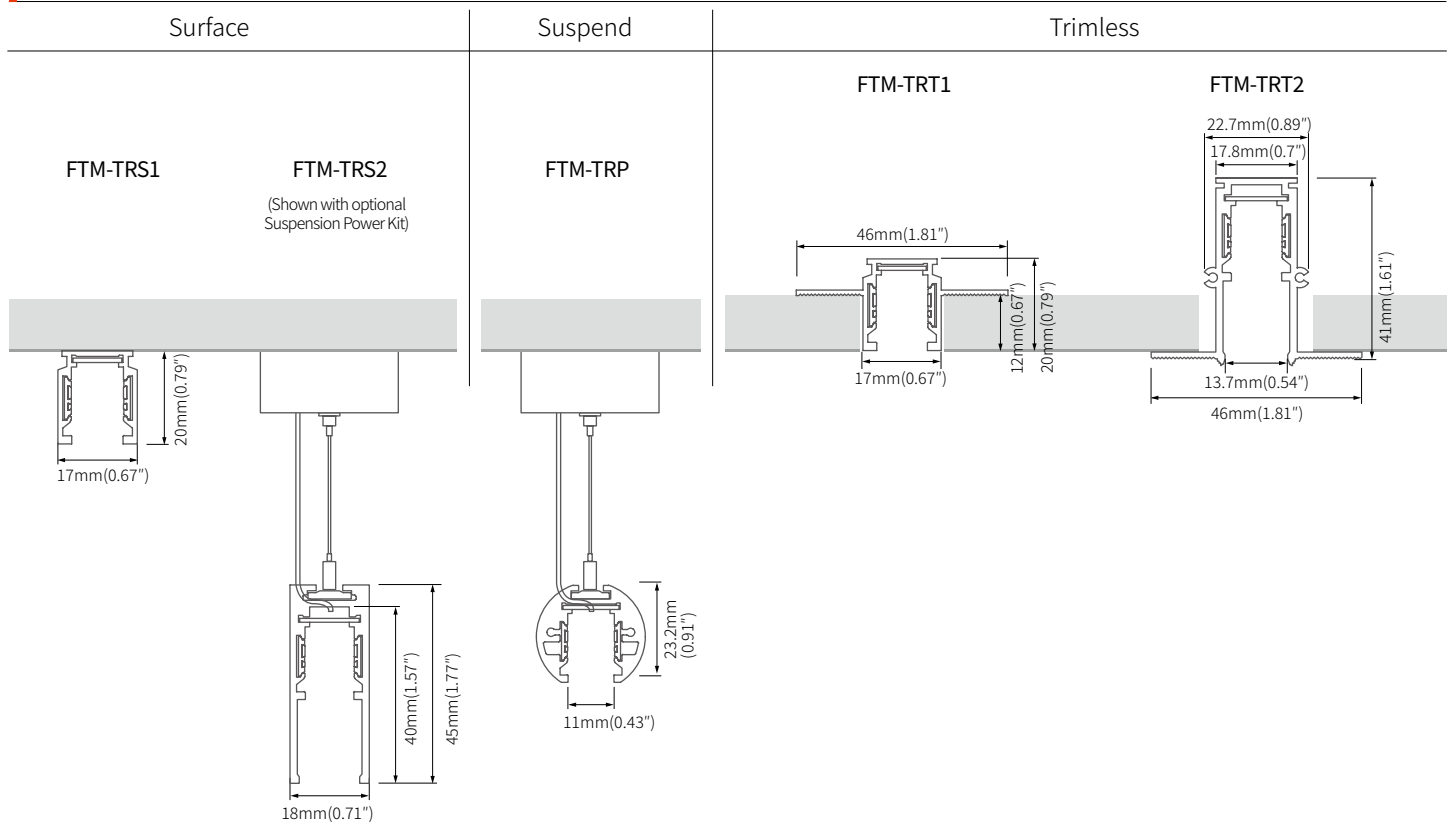
Compatible Luminaires					
Luminaire	FTM-TRS1	FTM-TRS2	FTM-TRT1	FTM-TRT2	FTM-TRP
FTM-SS03	○		○		○
FTM-SS05	○		○		○
FTM-SS05-ZOOM	○		○		○
FTM-SS10	○	○	○	○	○
FTM-SS15	○	○	○	○	○
FTM-SS15-ZOOM	○	○	○	○	○
FTM LS20	○	○	○	○	○
FTM LS20-TILT	○	○	○	○	○
FTM LS30	○	○	○	○	○
FTM LS30-TILT	○	○	○	○	○
FTM LM20	○	○	○	○	○
FTM LM20-TILT	○	○	○	○	○
FTM LM30	○	○	○	○	○
FTM LM30-TILT	○	○	○	○	○

* SS03 / SS05 / SS05-Zoom are not compatible with TRS2, TRT2 track.

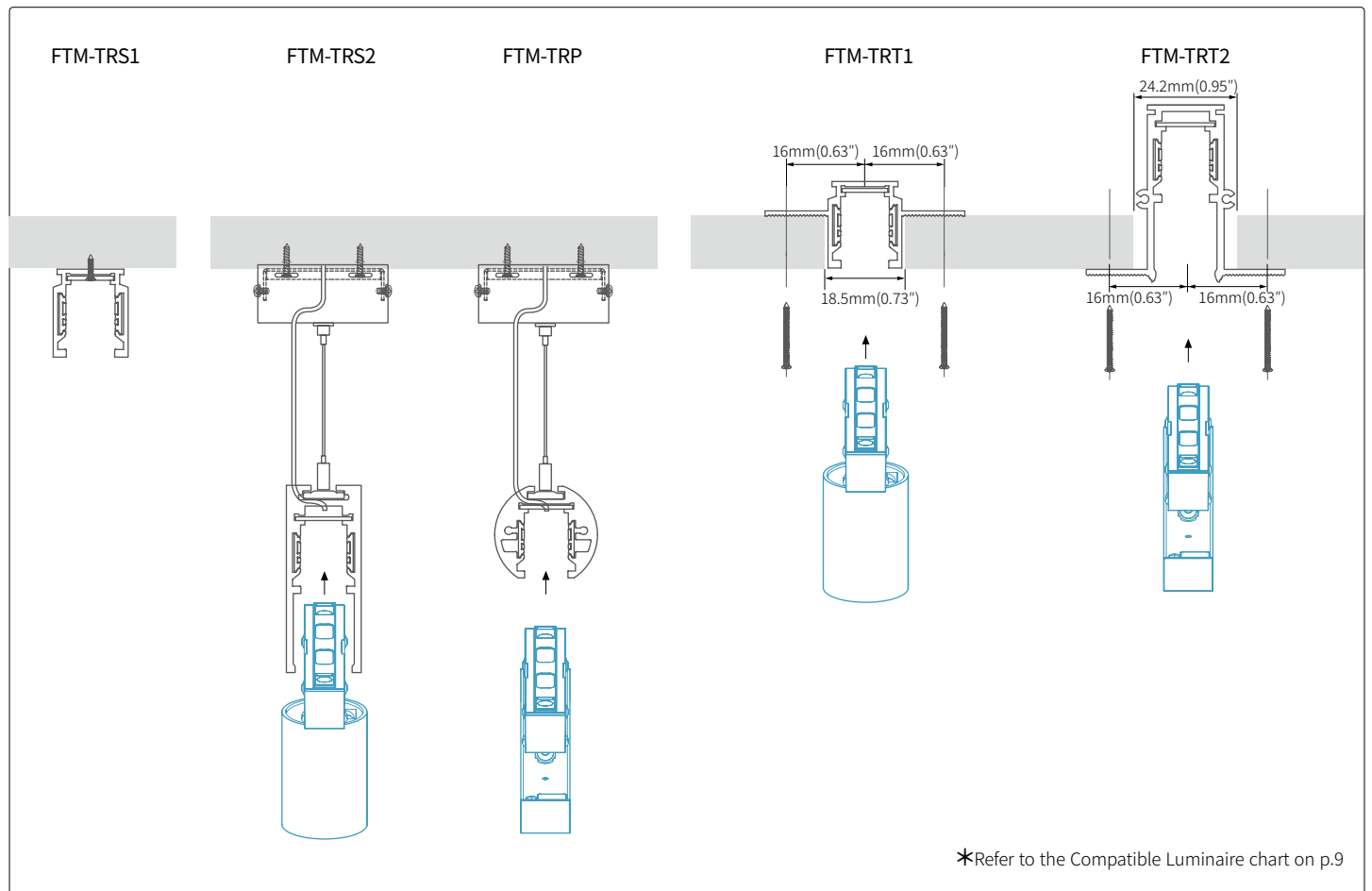
ORDERING GUIDE

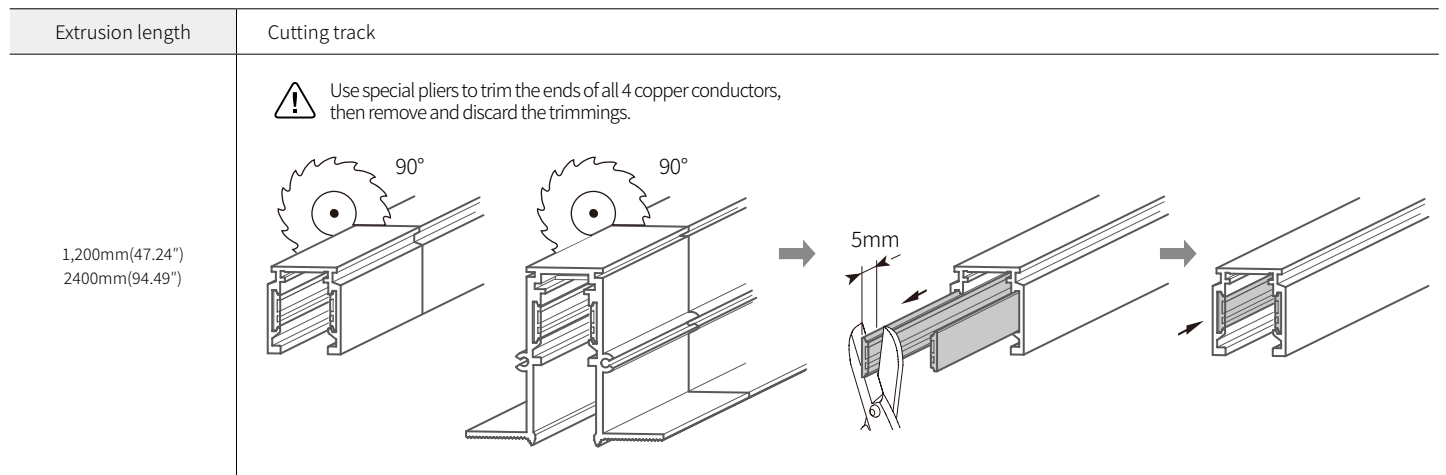


DIMENSION

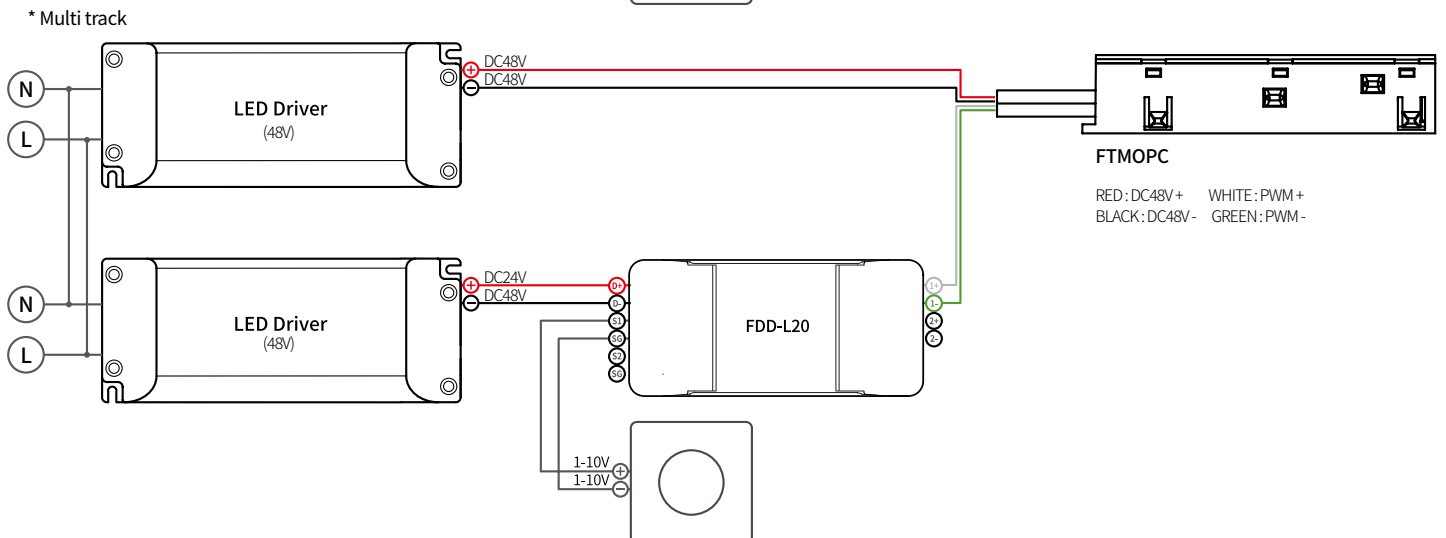
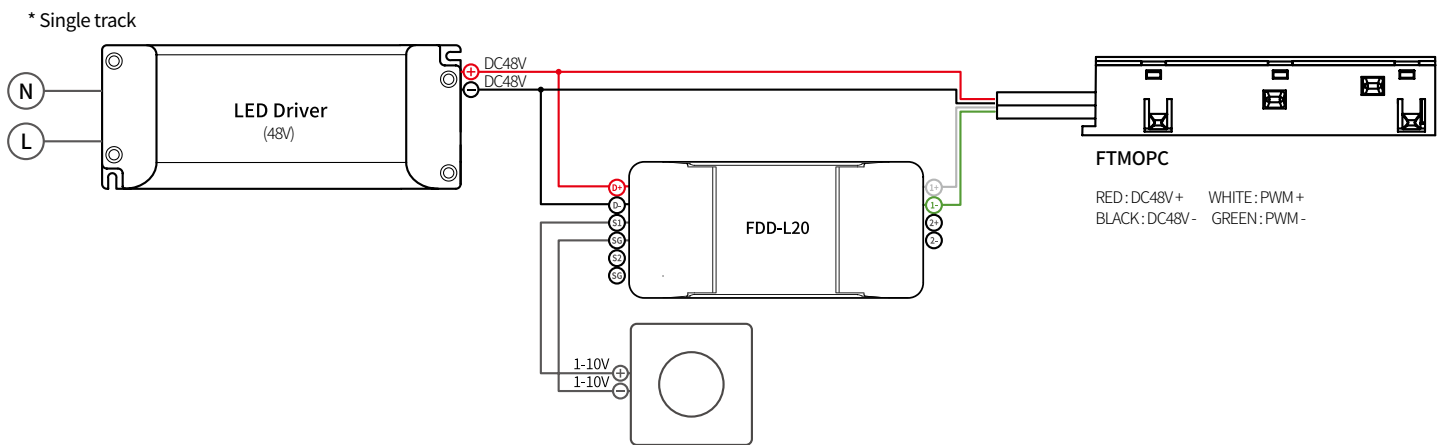
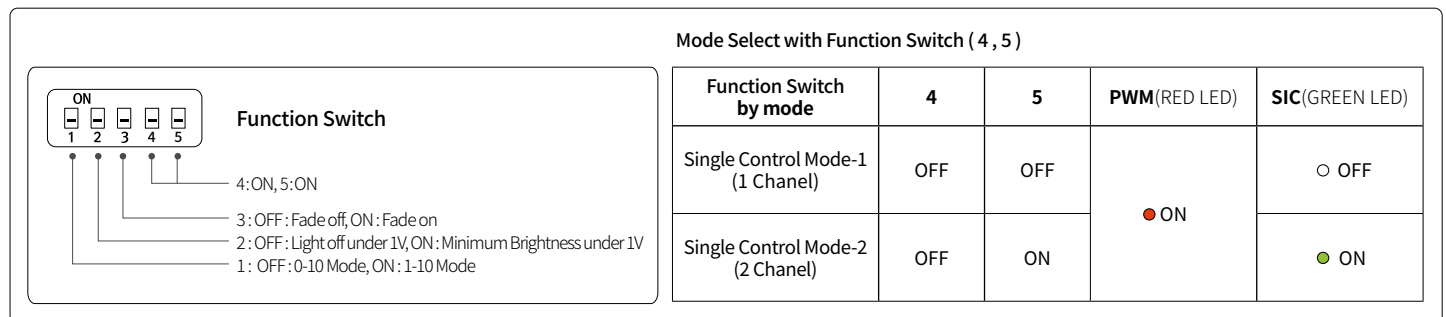


INSTALLATION *





WIRING DIAGRAM (1-10 / 0-10V dimming)



COMPONENTS



Power Connector
 __FTMOPC-BK(1,450mm)
 __FTMOPC-WT(1,450mm)



Suspension Power Kit for TRP Track
 __FTM-SK-POWER-BK
 __FTM-SK-POWER-WT



Dimming Interface (48V) (0-10V/1-10V)
 __FDD-L20
 (MAX. 400W (200W/CH, 2CH))



Direct Connector
 __FTMCPL-BK
 __FTMCPL-WT



Joint Bracket for TRS1, TRT1, TRP
 __FTM-JOINT1-BK



Flexible Connector
 __FTMPTC-BK(100mm)
 __FTMPTC-WT(100mm)



Joint Bracket for TRS2, TRT2
 __FTM-JOINT2-BK

Please Contact Factory for Power Supply Driver Information.
A larger selection of drivers
Please contact factory for power supply/ driver information.